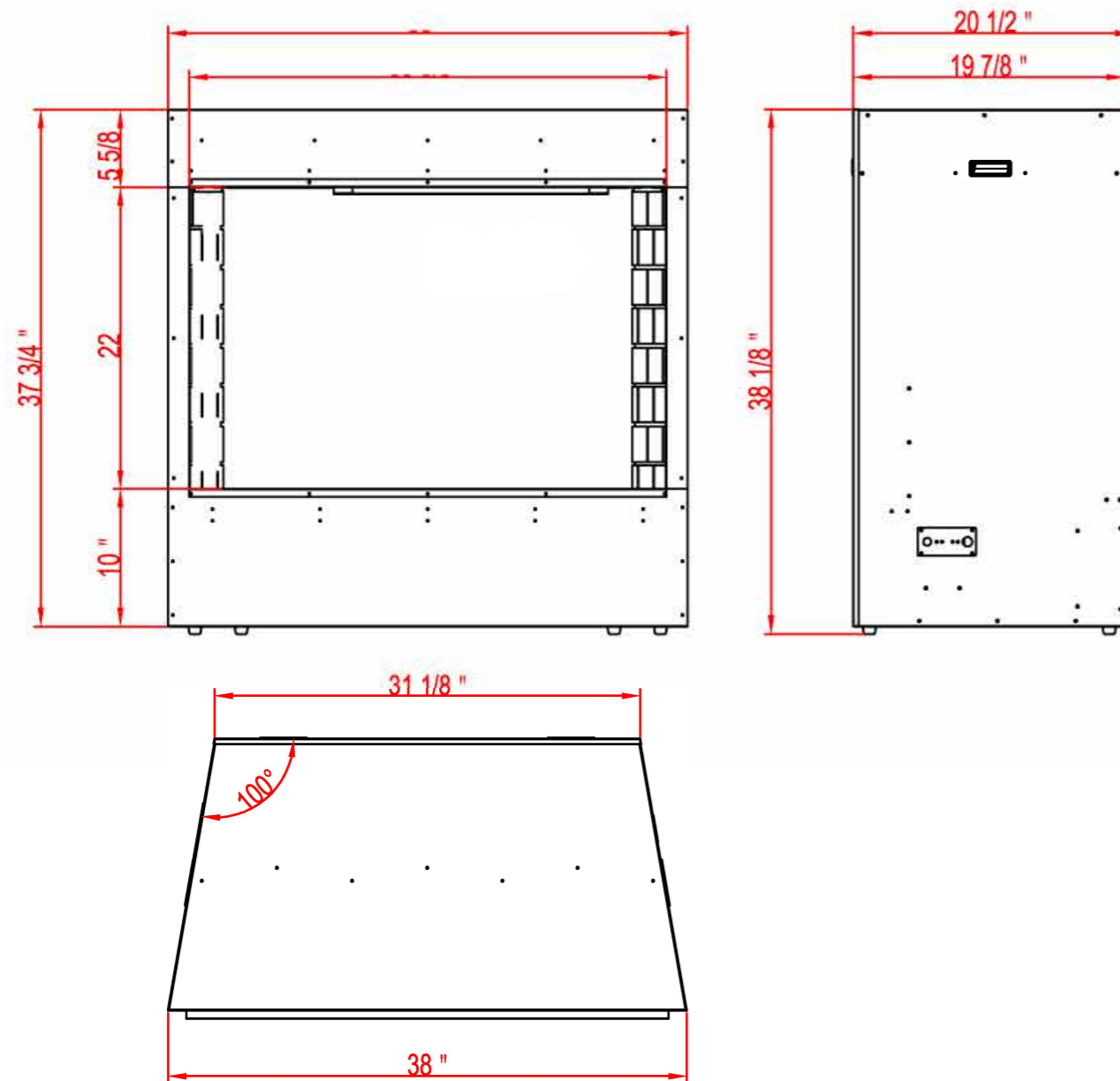


# Amantii TRD powered by Dimplex Optimyst

## TRD SIGNATURE SERIES


### Built-in Electric Cassette

#### Product Dimensions:



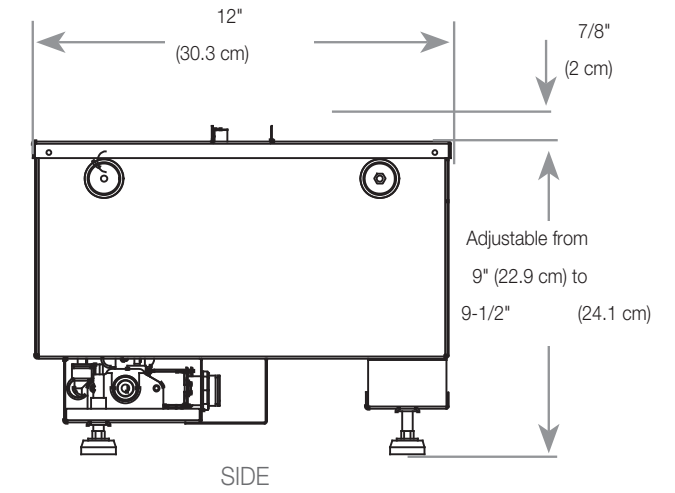
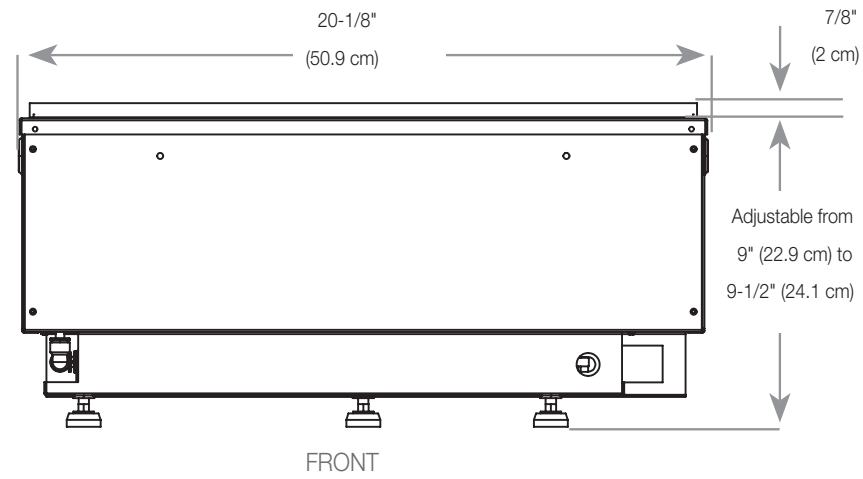
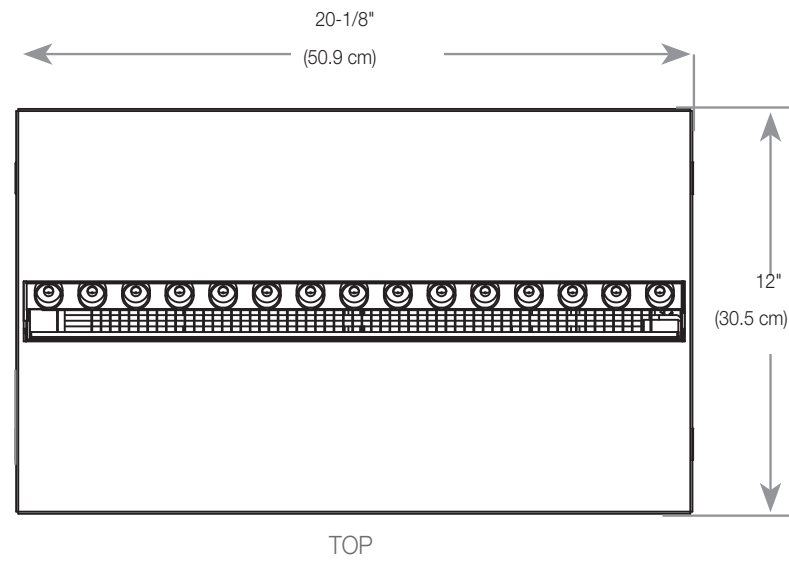
TECHNICAL SPECIFICATIONS	
VOLTS	120V
AMPS	12.5A
WATTS	1500W
HEATER	HIGH 1500W LOW 750W
NO HEATER	46 WATTS MAX
LAMPS	QUANTITY 84 PCS LED WATTS 0.5W&0.15W&0.06W TOTAL WATTS 44.8 W
ROTOR MOTOR	1 at 2.9 watts
HEIGHT.WIDTH.DEPTH	38 1/8 " X 38 " X20 1/2 "
GLASS VIEWING OPENING	22 " X 35 3/8 "
FRAMING SIZE	38 8/5 " X 38 1/4 " X 20 7/8 "
SHIPPING SIZE	44 1/8 " X 43 7/8 " X 25 1/2 "
NET WEIGHT	139.83 LBS
GROSS WEIGHT	173.54 LBS
UNIT	1
GLASS FRONT	Included
PLUG LOCATION	Left Side
CORD LENGTH	70.9 < L
APPROX.HEATING AREA	400 SQ FT

*Amantii*

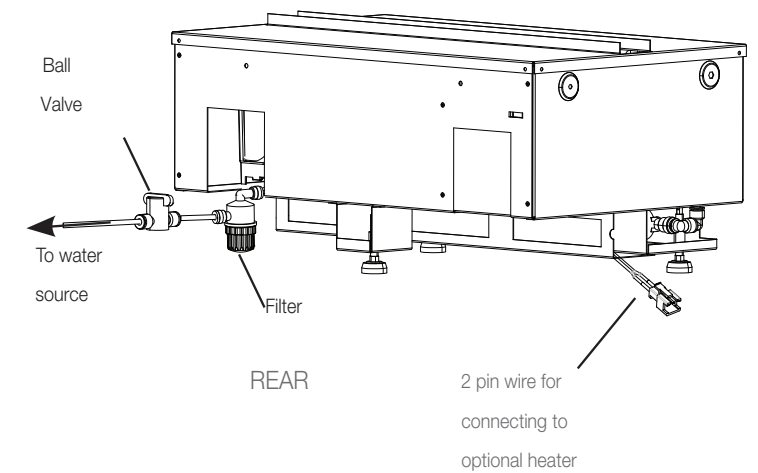
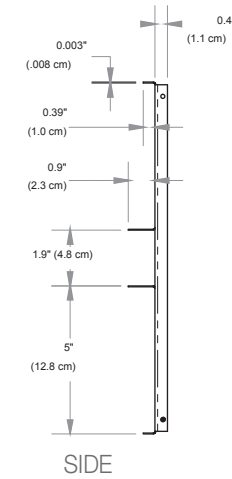
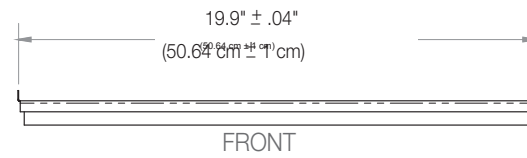
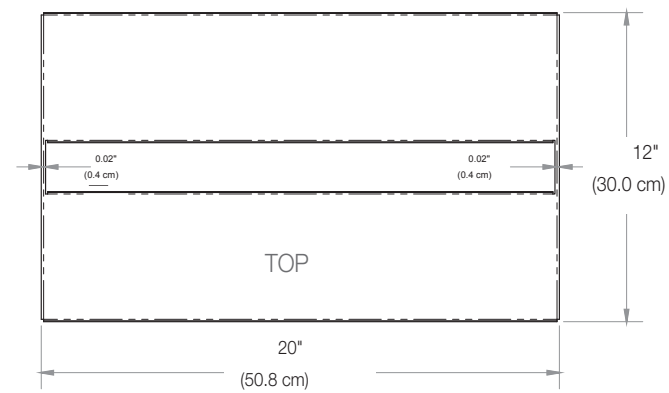
SERIES	MODEL		REV
SIGNATURE	TRD-38 SIG		1
SCALE 1"=1'-0"	DATE: 10/30/2023	SHEET 1 OF 1	

# Amantii TRD powered by Dimplex Optimyst Built-in Electric Cassette

## Product Dimensions:



## MEDIA TRAY

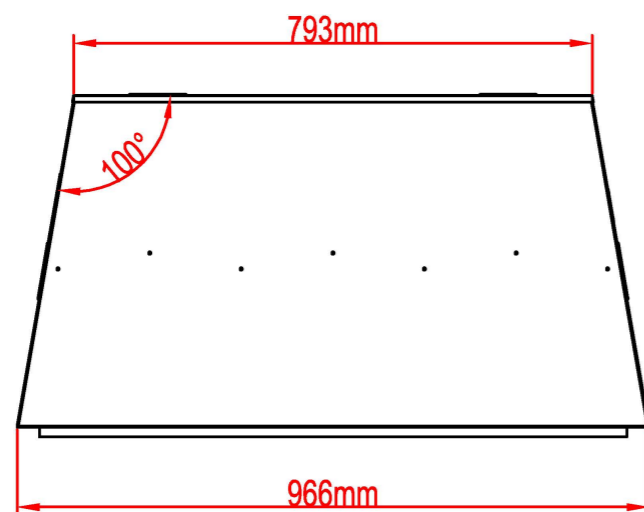
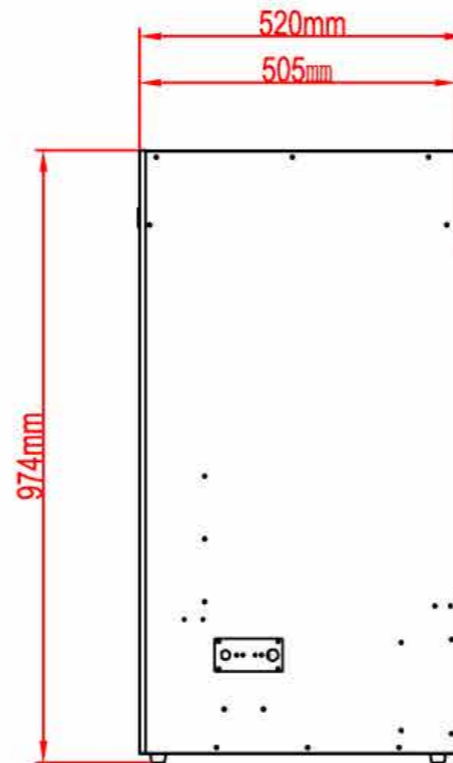
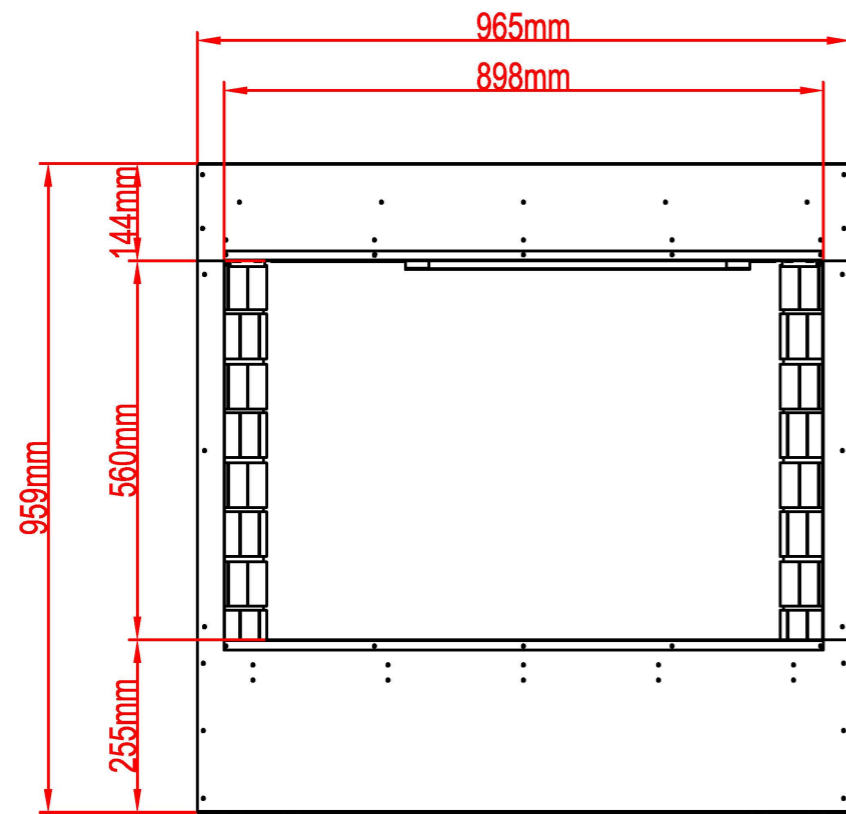


# Amantii TRD powered by Dimplex Optimyst

## TRD SIGNATURE SERIES


### Built-in Electric Cassette

#### Product Dimensions:



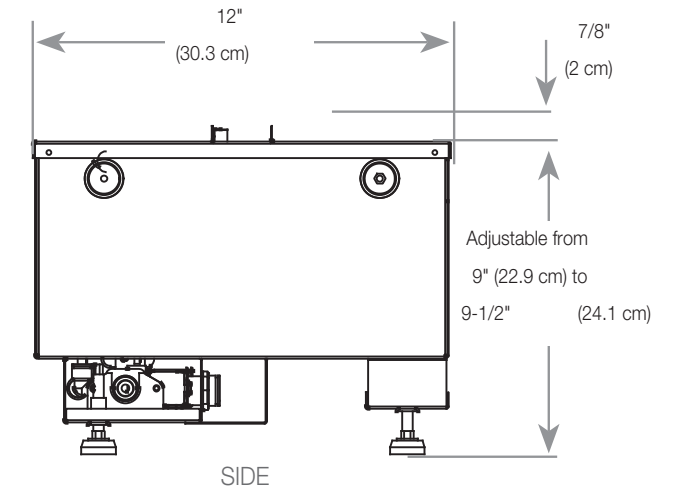
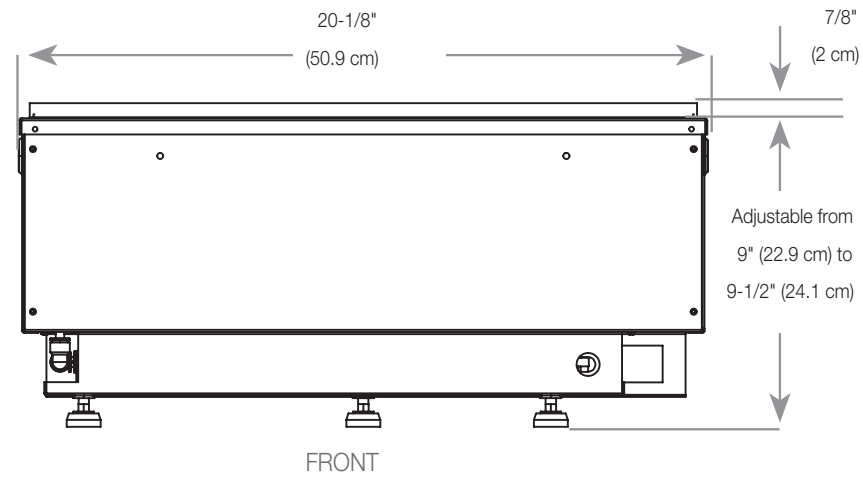
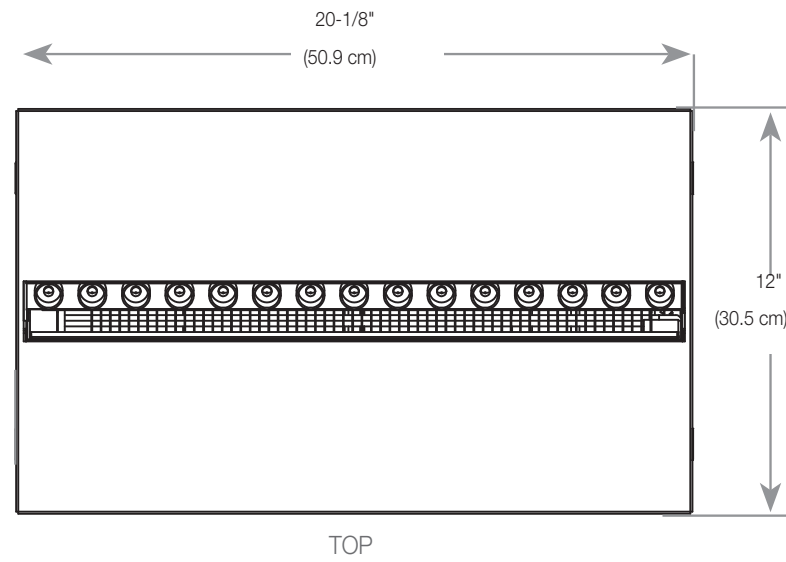
TECHNICAL SPECIFICATIONS	
VOLTS	120V
AMPS	12.5A
WATTS	1500W
HEATER	HIGH 1500W
	LOW 750W
NO HEATER	46 WATTS MAX
LAMPS	QUANTITY 84 PCS LED
	WATTS 0.5W&0.15W&0.06W
	TOTAL WATTS 44.8 W
ROTOR MOTOR	1 at 2.9 watts
HEIGHT.WIDTH.DEPTH	95.9 X 96.5 X 52 cm
GLASS VIEWING OPENING	56 X 89.8 cm
FRAMING SIZE	98 X 97 X 53 cm
SHIPPING SIZE	112.1 X 111.2 X 64.7 cm
NET WEIGHT	63.56 Kgs
GROSS WEIGHT	78.88 Kgs
UNIT	1
GLASS FRONT	Included
PLUG LOCATION	Left Side
CORD LENGTH	70.9 < L
APPROX.HEATING AREA	400 SQ FT

*Amantii*

SIGNATURE	MODEL		REV
	TRD-38 SIG		1
SCALE 1:12	DATE: 10/30/2023	SHEET 1 OF 1	

# Amantii TRD powered by Dimplex Optimyst Built-in Electric Cassette

## Product Dimensions:



## MEDIA TRAY

