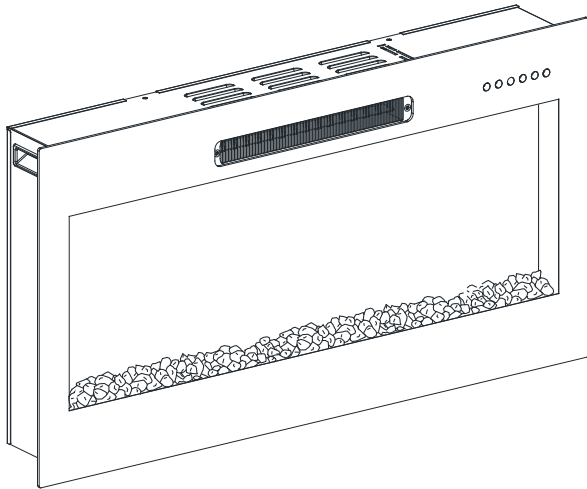


ELECTRIC FIREPLACE

www.fireandicefireplaces.com

INSTALLATION AND OPERATION INSTRUCTIONS FOR



EVO3620
PL36

EVO4220
PL42

EVO5020
PL50

EVO6020
PL60

SAFETY INFORMATION

WARNING

if the information in these instructions are not followed exactly, a fire or explosion may result causing property damage, personal injury or loss of life.

Do not store or use gasoline or other flammable vapors and liquids in the vicinity of this or any other.

INSTALLER: LEAVE THIS MANUAL WITH THE APPLIANCE.

CONSUMER: RETAIN THIS MANUAL FOR FUTURE REFERENCE.



WARNING: This product can expose you to chemicals including lead in the wiring, which is [are] known to the State of California to cause birth defects of other reproductive harm. For more information visit: www.p65warnings.ca.gov

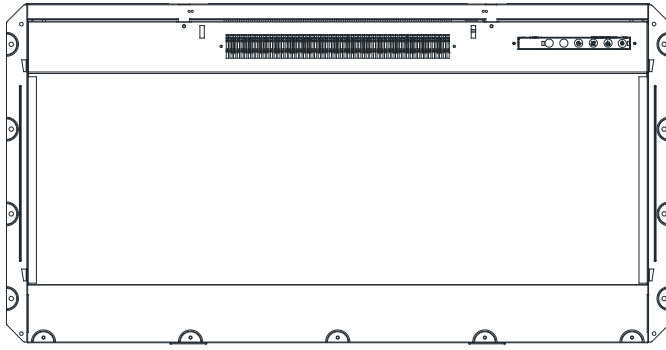
IMPORTANT INSTRUCTIONS

This section provides important safety precautions to follow when using electrical appliances to reduce the risk of fire, electrical shock, and injury.

1. Read all instructions before using this heater.
2. This heater is hot when in use. To avoid burns, do not let bare skin touch hot surfaces. Keep combustible materials at least 3 feet away from the heater to avoid burns and fire hazards.
3. Extreme caution is necessary when using heaters around children or leaving them unattended.
4. Do not operate a malfunctioning heater and have it inspected by a professional before reusing.
5. Always unplug the appliance when not in use and do not use it with a damaged cord or plug.
6. Do not operate any heater with a damaged cord or plug, after the appliance malfunctions, or if it has been dropped or damaged in any manner.
7. If the supply cord is damaged, it must be replaced by the manufacturer, its service agent or similarly qualified persons in order to avoid a hazard.
8. Any repairs to this fireplace should be carried out by a qualified service person.
9. Under no circumstances should this fireplace be modified. Parts having to be removed for servicing must be replaced prior to operating this fireplace again.
10. Do not use outdoors.
11. The appliance must be properly grounded and not used in bathrooms or near water containers.
12. Do not run cord under carpeting. Do not cover cord with throw rugs, runners or the like. Arrange cord away from traffic areas and where it will not be tripped over.
13. To disconnect this appliance, turn controls to the off position, then remove plug from outlet.
14. Connect to properly grounded outlet only.
15. This appliance, when installed, must be electrically grounded in accordance with local codes or, in the absence of local codes, with the current CSA C22.1 Canadian Electrical Code or for USA installations, follow local codes and the National Electrical Code, ANSI/NFPA NO.70.
16. There is a protective thermostat limiter inside the heater. When the inner temperature overheats, the thermostat limiter will shut off the power supply to avoid the risk of fire damage to the appliance.
17. The heaters must not be located immediately below a socket-outlet.
18. Do not insert or allow foreign objects to enter any ventilation or exhaust opening as this may cause an electric shock or fire or damage the appliance.
19. To prevent a possible fire, do not block air intakes or exhaust in any manner. Do not use on soft surfaces, like a bed, where opening may become blocked.
20. This appliance has hot and arcing or sparking parts inside. Do not use where gasoline, paint, or flammable liquids are used or stored. This fireplace should not be used as a drying rack for clothing. Christmas stockings or decorations should not be hung around it.
21. Use this appliance only as described in the manual. Any other use not recommended by the manufacturer may cause fire, electric shock or injury to persons.
22. Always plug heaters directly into a wall outlet/receptacle. Never use with an extension cord or relocatable power tap (outlet/power strip).

SAVE THESE INSTRUCTIONS

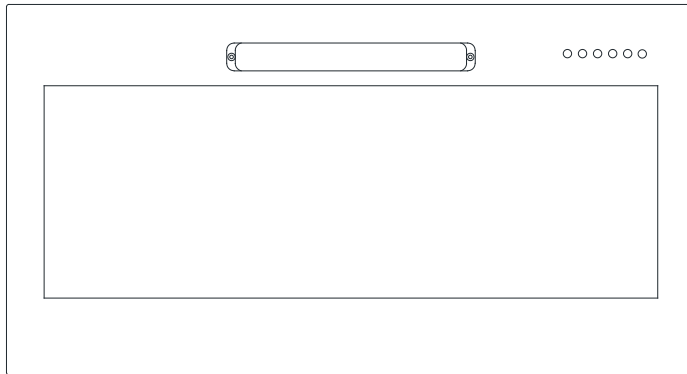
PACKAGE CONTENTS



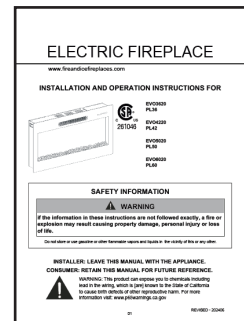
Fireplace



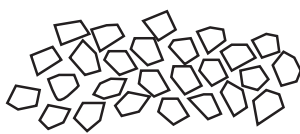
Remote Control



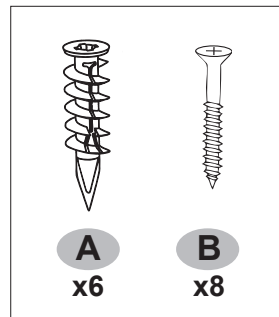
Glass Front



Manual



Acrylic Crystals



Hardware Screw Bag

ELECTRICAL SPECIFICATIONS

Voltage: 120VAC

Rating: 1400 Watts

Frequency: 60Hz

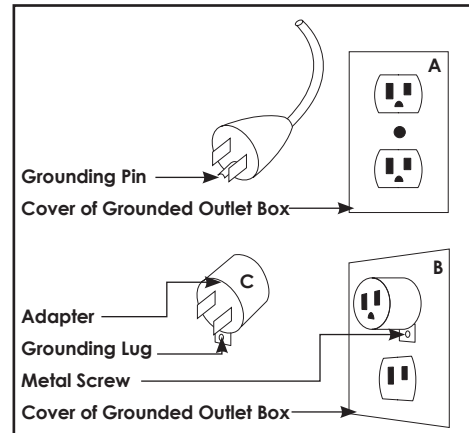
PRE-INSTALLATION

GROUNDING INSTRUCTIONS:

This heater is for use on 120 volts. The cord has a plug as shown at (A) in figure 1. An adapter as shown at (C) is available for connecting three-blade grounding-type plugs to two-slot receptacles. The green grounding lug extending from the adapter must be connected to a permanent ground such as a properly grounded outlet box. The adapter should not be used if a three-slot grounded receptacle is available.

NOTE: Adapters are NOT for use in Canada

Figure 1



PLANNING INSTALLATION

Before you begin assembly, locate the instructions and hardware. Compare all parts with the Hardware Included and Package Contents lists. Be sure you have all the parts and can identify them. A helping hand is always good. Assemble your fireplace with an adult assistant if possible. Some pieces are heavy and will need to be held by a helper. Assembly time will take approximately 15-30 minutes.



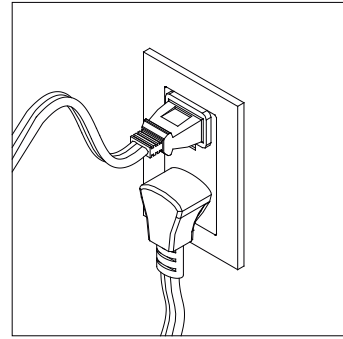
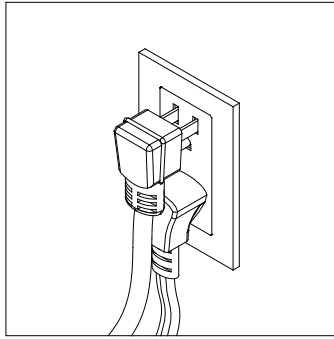
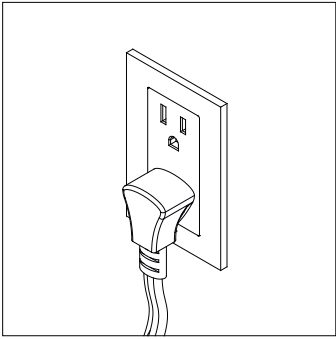
CAUTION: This carton includes a GLASS panel! Always use extreme caution when handling glass. Failure to do so could result in personal injury or property damage.



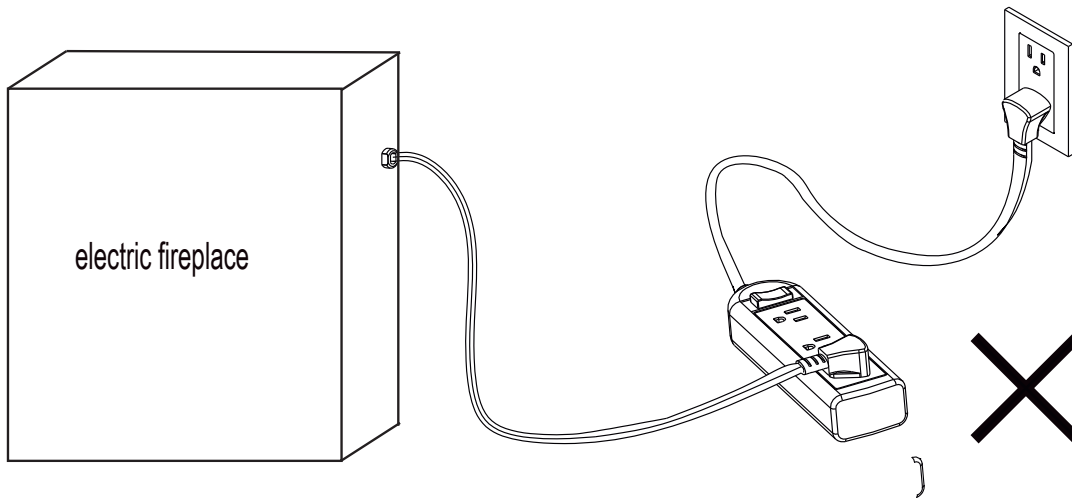
WARNING: Do not install unit on shelves, raised platforms, beds, blankets, pillows etc. Keep combustible materials such as furniture, bedding, papers, clothes and curtains at least 3 feet (914 mm) from the fireplace.



Do not share a socket with other appliances when using electric fireplace, please use a dedicated socket.



Never use with an extension cord or relocatable power tap (outlet / power strip).



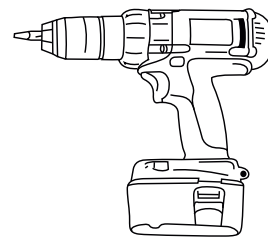
TOOLS REQUIRED (NOT INCLUDED)



Safety goggles



Phillips screwdriver

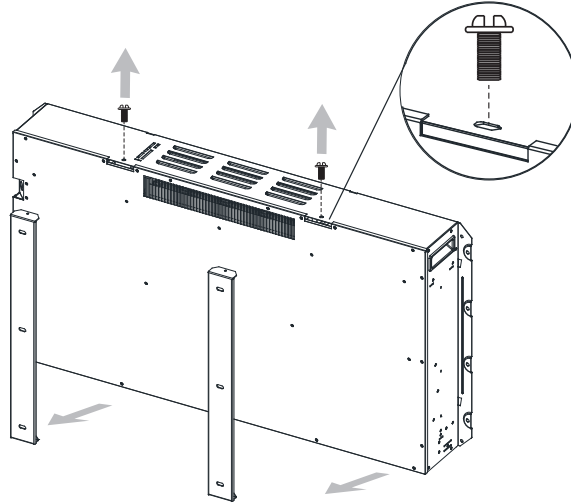


Power drill

INSTALLATION (WALL MOUNTING)

The text provides instructions for mounting and securing a fireplace to a wall. The dimensions of the mounting bracket and the required screws are given for different models. The text emphasizes the importance of securely attaching the fireplace to prevent personal injury and property damage.

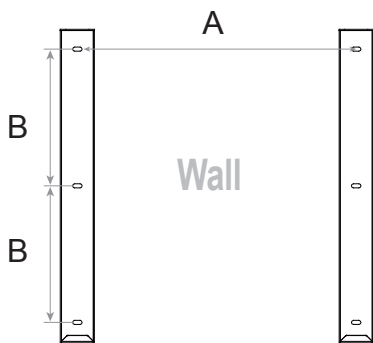
1. Remove the mounting bracket from the back of the fireplace.



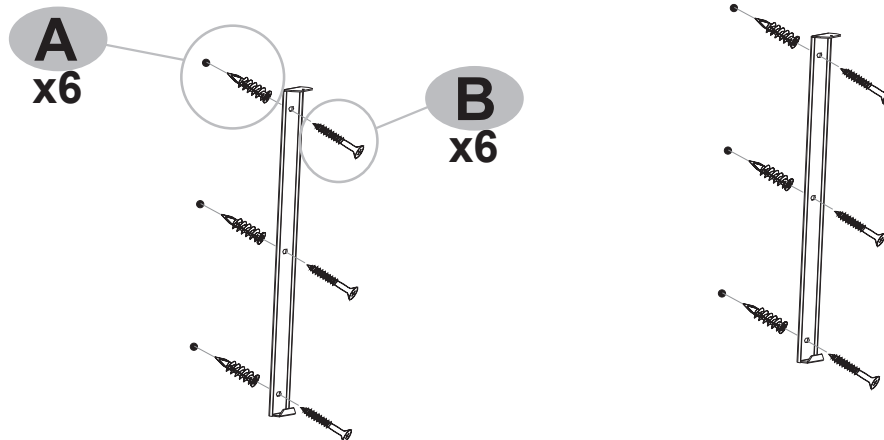
2. Attach the mounting bracket to a wall.

IMPORTANT: This unit is designed to be securely attached to a wall with a fixed structure. Failure to do, so might result in personal injury and/or property damages.

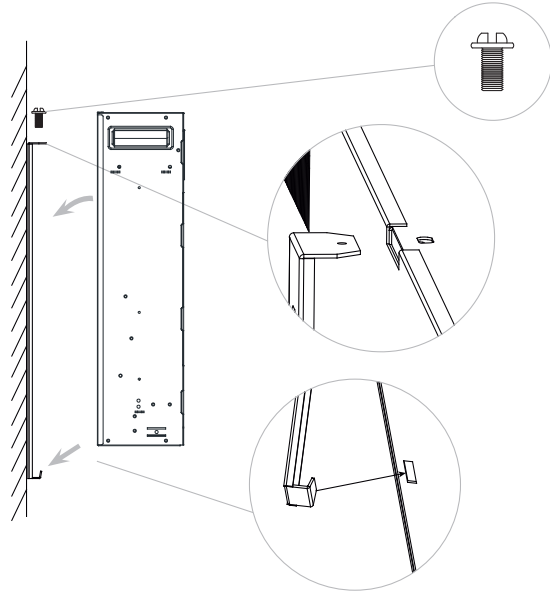
NOTE: Wall anchor is not needed if the bracket is to be mount directly on the studs.



Model	A	B
EVO3620/PL36	16in / 40.6cm	7.9in / 20cm
EVO4220/PL42	16in / 40.6cm	7.9in / 20cm
EVO5020/PL50	32in / 81.3cm	7.9in / 20cm
EVO6020/PL60	32in / 81.3cm	7.9in / 20cm

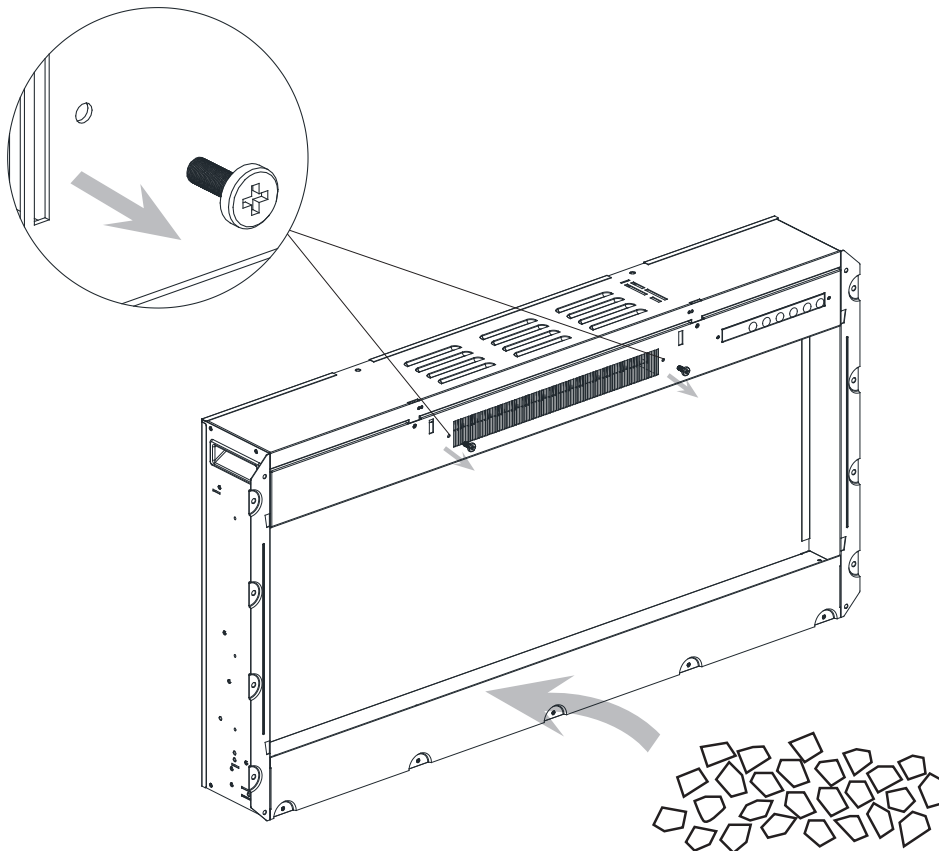


3. Hang the fireplace on the mounting bracket. Secure the fireplace to the mounting bracket with the two screws removed in Step 1.



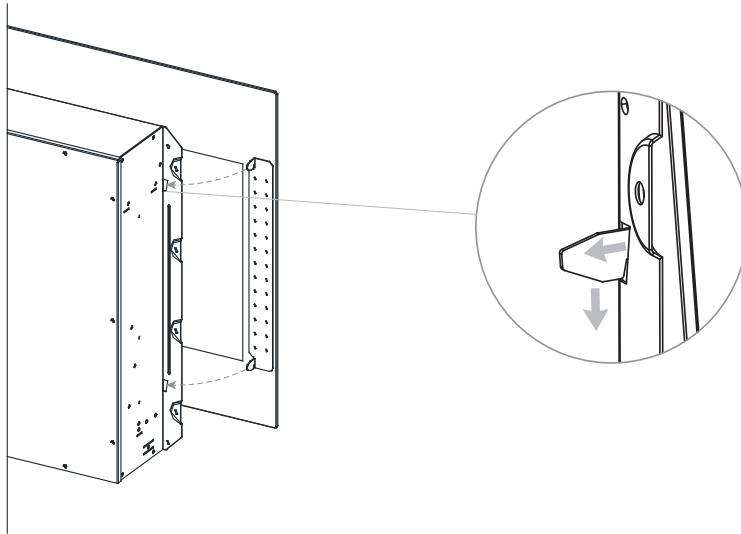
4. Place decorative crystals inside the fireplace.

Remove the two screws next to the air outlet and save them for later use.

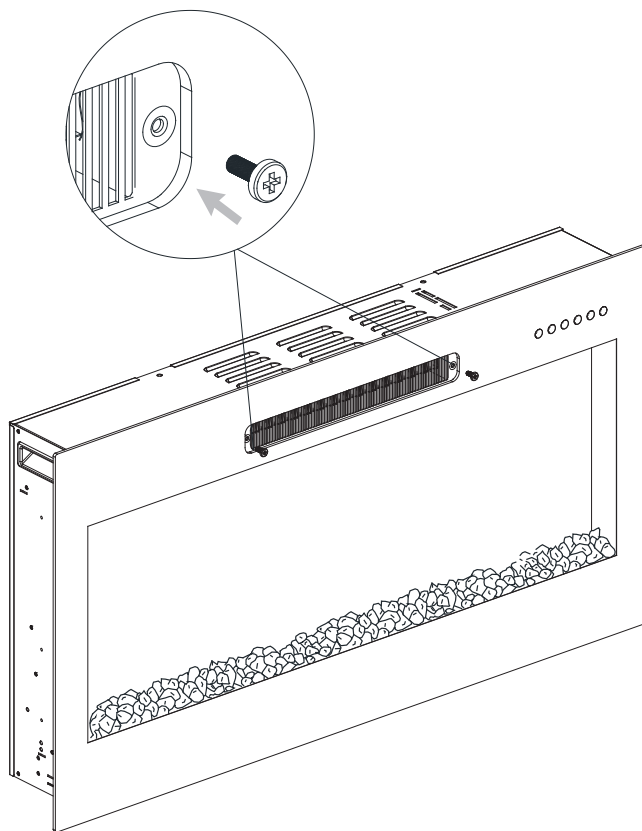


5. Put the glass front panel on the fireplace.

CAUTION: Careful when handling glass to prevent injury or damage.



6. Secure the glass front to the fireplace with the screws removed in step 4.



INSTALLATION (BUILT IN WALL)

PREPARATION: This section provides step-by-step instructions for installing a fireplace cabinet, including location selection, wiring compliance, and appliance testing.

1. The location for the fireplace cabinet should be at least 0.9m away from combustible materials and moisture-prone areas.
2. Prior to installation, the appliance should be tested by plugging it into a 120 Volt grounded outlet.
3. The dimensions of the cabinet and the back of the fireplace are provided for different models.
4. The installation process involves removing the mounting bracket, securing the fireplace to the cabinet, placing decorative crystals, and attaching the glass front panel.

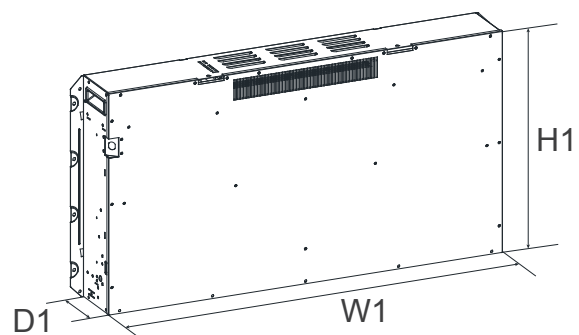
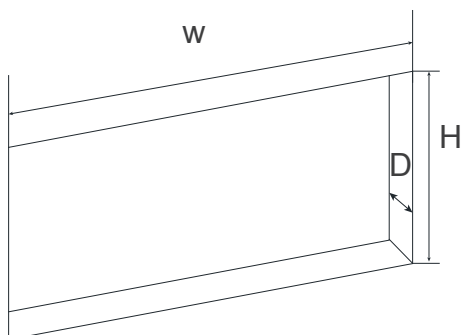
NOTE: Due to the many different materials used to build walls, it is highly recommended that you consult your local builder before you install this appliance on a wall.

Cabinet dimensions

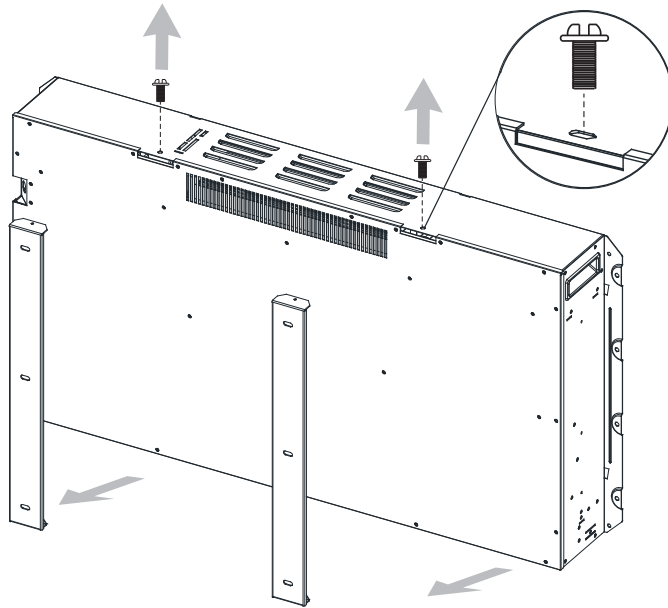
Cabinet	W	D	H
EVO3620/PL36	33.9 in / 86.1 cm	5.7 in / 14.6 cm	18.4 in / 46.7 cm
EVO4220/PL42	39.9 in / 101.4 cm	5.7 in / 14.6 cm	18.4 in / 46.7 cm
EVO5020/PL50	47.9 in / 121.7 cm	5.7 in / 14.6 cm	18.4 in / 46.7 cm
EVO6020/PL60	57.9 in / 147.1 cm	5.7 in / 14.6 cm	18.4 in / 46.7 cm

The back of the fireplace dimensions

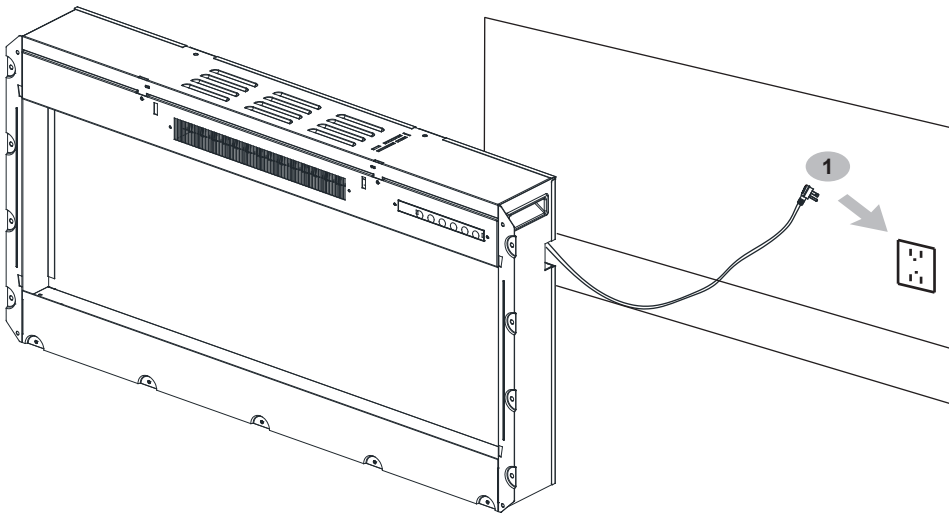
fireplace	W1	D1	H1
EVO3620/PL36	33.4 in / 84.9 cm	4.7 in / 11.9 cm	18.1 in / 46 cm
EVO4220/PL42	39.4 in / 100.2 cm	4.7 in / 11.9 cm	18.1 in / 46 cm
EVO5020/PL50	47.4 in / 120.5 cm	4.7 in / 11.9 cm	18.1 in / 46 cm
EVO6020/PL60	57.4 in / 145.9 cm	4.7 in / 11.9 cm	18.1 in / 46 cm



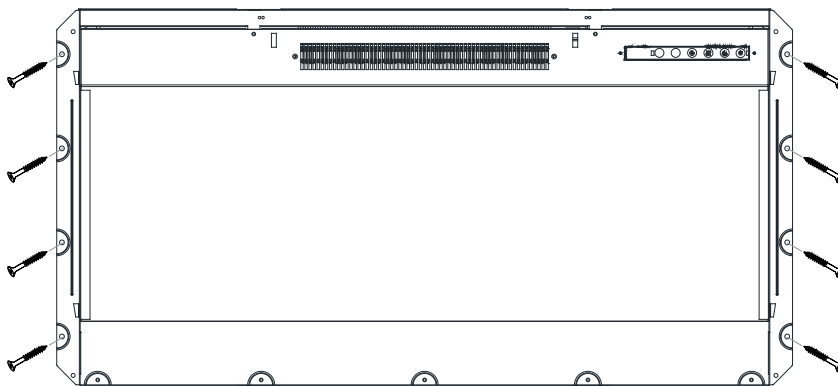
1. Remove the mounting bracket from the back of the fireplace.



2. Plug into the power supply and push the fireplace into the cabinet .

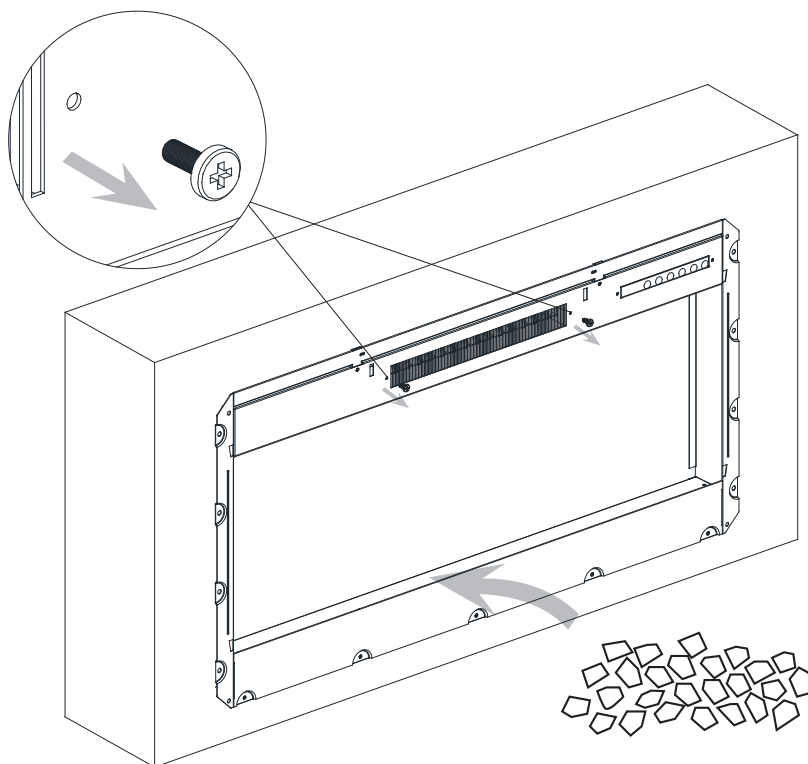


3. Use supplied screws to secure the fireplace to cabinet.



4. Place decorative crystals inside the fireplace.

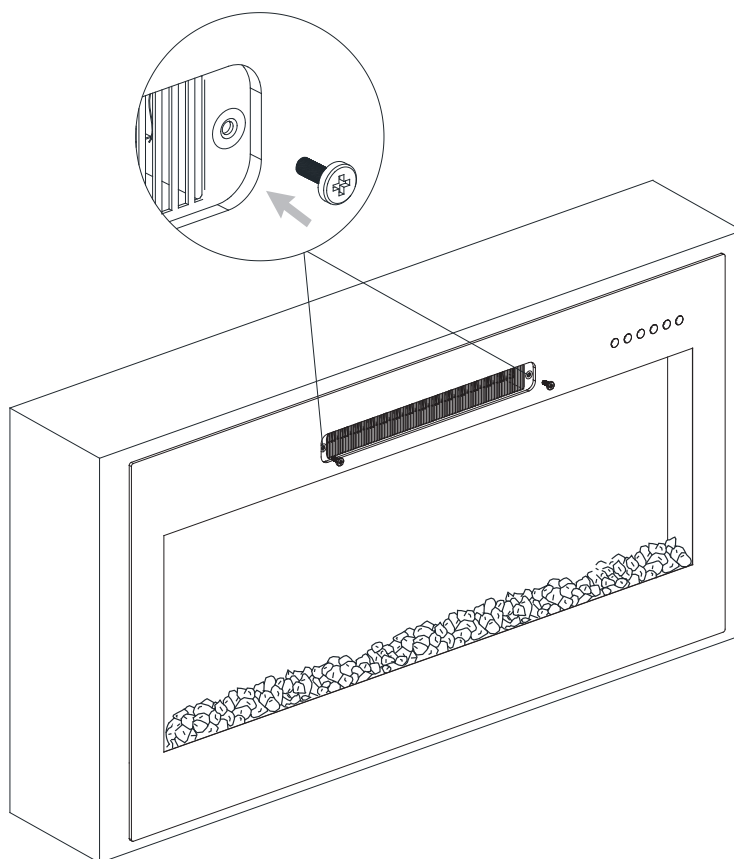
Remove the two screws next to the air outlet and save them for later use.



5. Put the glass front panel on the fireplace.

CAUTION: Careful when handling glass to prevent injury or damage.

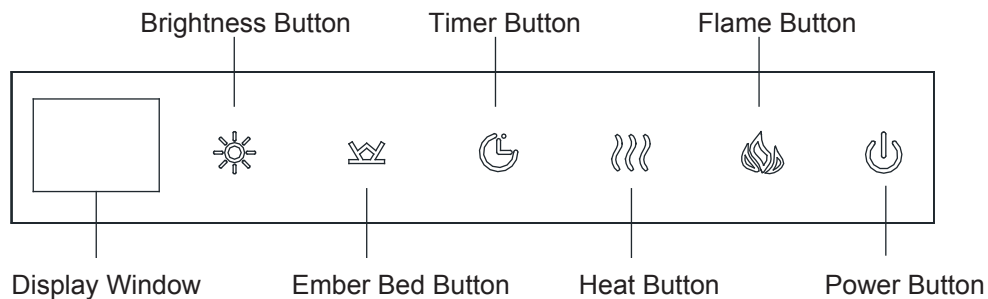
Secure the glass front to the fireplace with the screws removed in step 4.



OPERATING INSTRUCTIONS

Control Panel: This section explains the various functions and buttons on the control panel of the unit.

- The control panel is located on the top right corner of the unit.
- To control the unit, touch any button to wake up the control panel. The power button will flash, and all other buttons will light up.
- The control panel will turn off after 10 seconds of inactivity.



Power Button

The Power Button turns the fireplace ON and OFF. When the fireplace is OFF, touch any button to wake up the control panel, and the power button will flash. Then touch the Power Button to turn on the fireplace. Touch the Power Button again to turn off the fireplace.

The fireplace has a built-in memory function and when turned back on it starts at the last used settings (except timer). If the fireplace is disconnected from the main power source, it reverts to the default settings.

Flame Button

This button is used to turn flames ON, to alter the flame color and to turn flames OFF. Press the Flame button multiple times to cycle through color rotation option (01), 15 color options (02, 03, 04, 05, 06, 07, 08, 09, 10, 11, 12, 13, 14, 15, 16) and flames OFF.

Heater Button

This button is used to turn heater ON, to alter the temperature. With temperature displayed and blink, Press the heat button multiple times to cycle through: 82 °F -ON - 64 °F -66 °F -68 °F -70 °F -72 °F -74 °F -76 °F -78 °F -80 °F (27 °C -ON - 18 °C -19 °C -20 °C -21 °C -22 °C -23 °C -24 °C -25 °C -26 °C).

ON means the heater keep working.

With temperature displayed and not blink, Press the heat button once to turn heater OFF.

Temperature unit convert function: The heater includes Celsius and Fahrenheit temperature scales. To change the temperature unit, turn the heater on, and then press and hold the Power Button for 5 seconds. The current temperature unit display will flash 3 times and convert to the other temperature unit. Note: The remote control cannot convert the temperature units.

Lock and Unlock Heater Function: Press and hold the heater button for 10 seconds. The ember bed will flash 6 times, indicating that the heater function is locked. To unlock the heater function, press and hold the heater button for 10 seconds. The ember bed will flash 6 times, indicating the heater function is unlocked. Note: The remote cannot set the lock and unlock heater function.

Timer Button

The TIMER has adjustable setting at range from 1 hour to 9 hours and OFF. As shown the following: 1h-2h-3h-4h-5h- 6h-7h-8h-9h-OFF. Once you have set the timer, and the timer is up, it will close all the functions and enter standby mode. In this mode, you should touch the power button to restart the fireplace.

Ember Bed Button

This button is used to turn ember bed ON, to alter the ember bed color and to turn ember bed OFF. Press the Ember Bed button multiple times to cycle through color rotation option (01), 15 color options (02, 03, 04, 05, 06, 07, 08, 09, 10, 11, 12, 13, 14, 15, 16) and ember bed OFF.

Brightness Button

This button is used to adjust the brightness of flame and ember bed.

When flame is on and (02, 03, 04, 05, 06, 07, 08, 09, 10, 11, 12, 13, 14, 15, 16) is displayed, press the Brightness Button to change the brightness of the flames from the available options: L5, L4, L3, L2, L1. L5 is the brightest and L1 is the darkest.

When ember bed is on and (02, 03, 04, 05, 06, 07, 08, 09, 10, 11, 12, 13, 14, 15, 16) is displayed, press the Brightness Button to change the brightness of the ember bed from the available options: d5, d4, d3, d2, d1. d5 is the brightest and d1 is the darkest.

NOTE: Brightness control is not operational when the flame setting at 01 and the ember bed light effect setting at 01.

REMOTE CONTROL

Power

The Power Button turns the fireplace ON and OFF.

Heater

The Heater Button turns the heat ON and OFF. Press “+” or “-” button to set the temperature.

Flame

The Flame Button turns the flame ON and OFF. Press “+” or “-” button to set the flame color.

Ember bed

The Ember Bed Button turns the ember bed ON and OFF. Press “+” or “-” button to set the ember bed color.

Timer

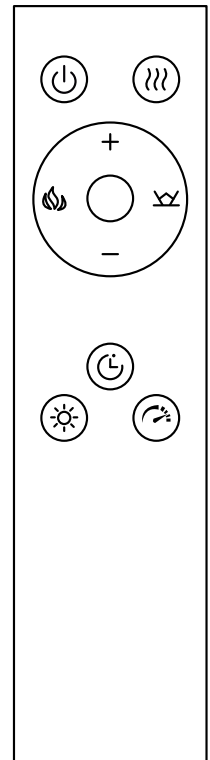
The Timer Button turns the timer ON and OFF. Press “+” or “-” button to set the timer.

Brightness

The Brightness Button is used to adjust the brightness of flame and ember bed.

Speed

The speed button is used to adjust the flame speed. There are 5 flame speeds and are shown as P3-P4-P5-P1-P2. The default speed is medium, P3. The fastest flame speed is P5, and the slowest flame speed is P1.

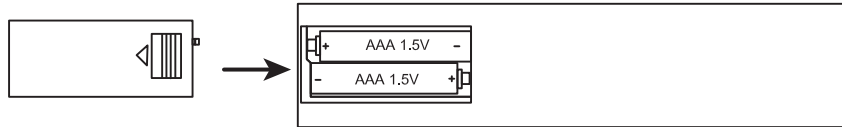


BATTERY REPLACEMENT

The battery compartment is located on the back end of the remote control.

1. Press and slide the battery cover open.
2. Insert two 1.5V (AAA) batteries ensuring they are installed correctly with regard to the polarities (+ and -) marked on the inside of the battery compartment.
3. Replace the battery cover.

NOTE: The batteries should be removed if the product is to be left unused for a long time.



When replacing the batteries, replace both batteries at the same time with new batteries of the correct type.

- Do not mix old and new batteries.
- Do not mix alkaline, standard (Carbon-Zinc), or rechargeable (Nicad, Nimh, etc) batteries.

WIFI OPERATION

INSTALL TuyaSmart life

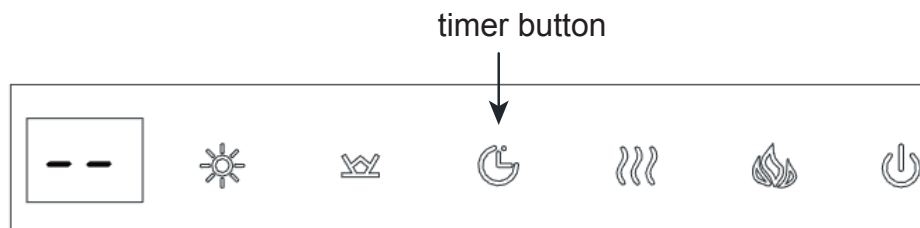
There are 2 ways to install TuyaSmart;

1. Search for “TuyaSmart life” in the APP store on your phone; download and install.
2. Scan the QR code below with your mobile phone.



WIFI SETTING AND FIREPLACE OPERATION

NOTE: Before log in TuyaSmart, Make sure the Wi-Fi signal is good and know the Wi-Fi account and password. Then pressing the timer button 5 seconds until “ -- ” blink quickly to activate WiFi.



1. Create an account and log in.(Figure 1)
2. When you log in, the APP will scan and add the fireplace to APP(Figure.2) automatically. Touch “Add” to enter in Figure 3. Touch “+” to set your Wi-fi account and password(Figure 4). Touch “Next” to enter Figure 5. Touch “Done” to finish Wi-fi setting.
3. You will proceed to the app interface (Figures 6 and 7) and can operate the fireplace via Wi-Fi.

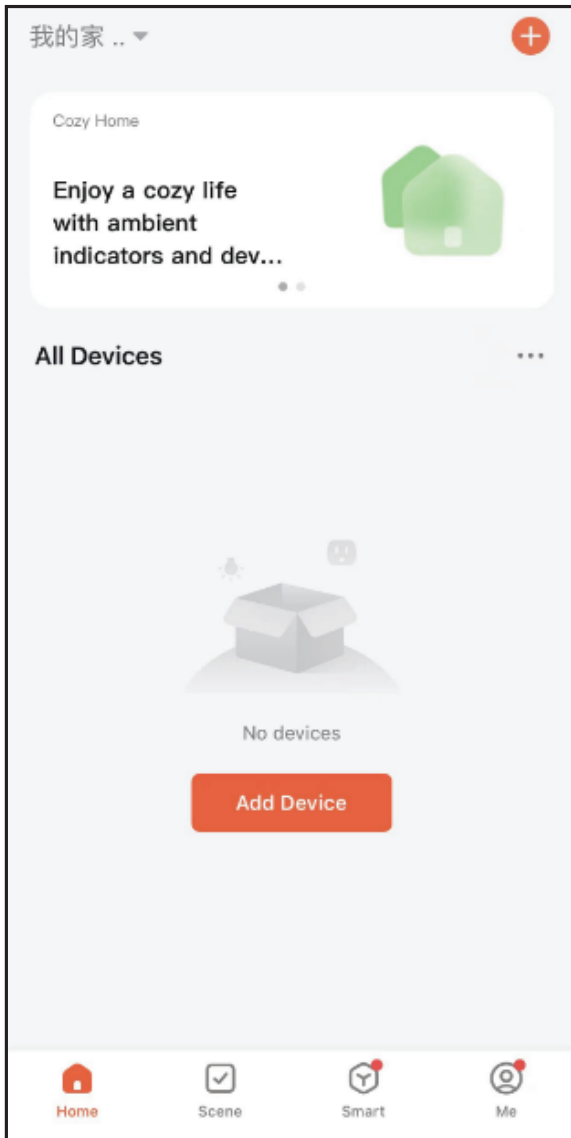


Figure 1

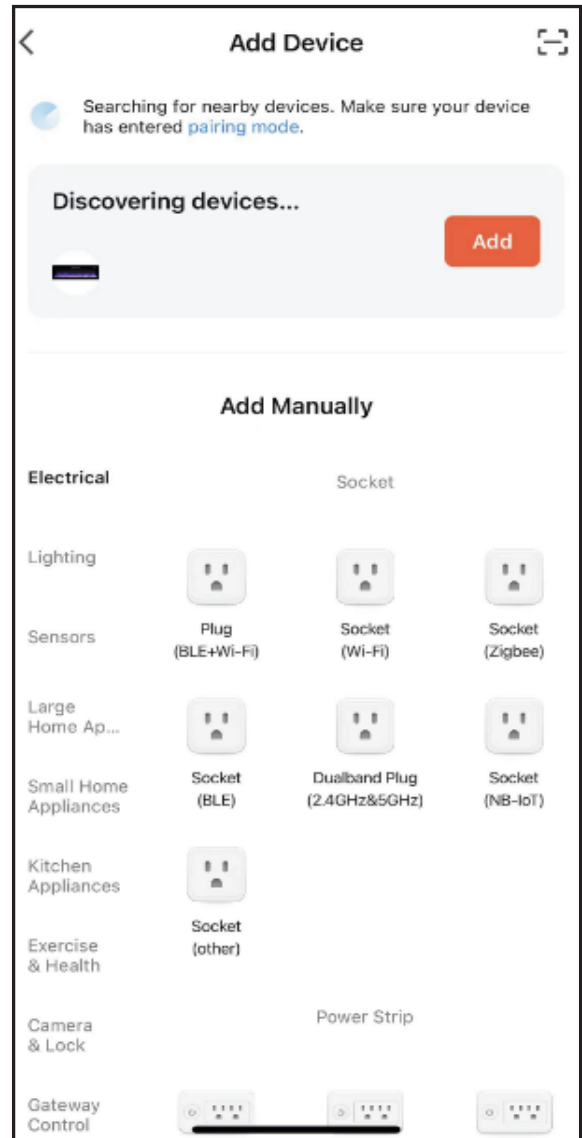


Figure 2

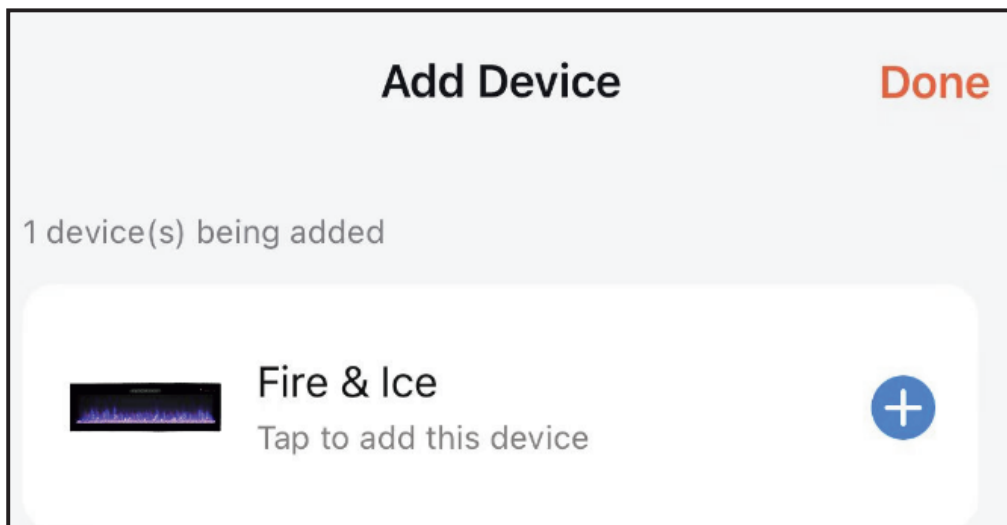


Figure 3

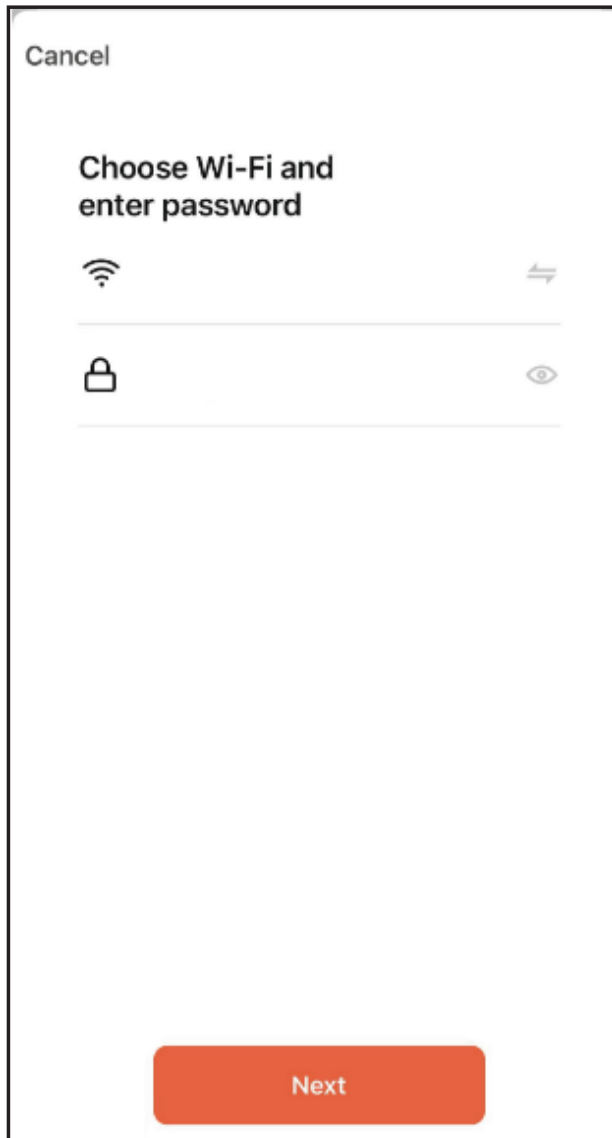


Figure 4

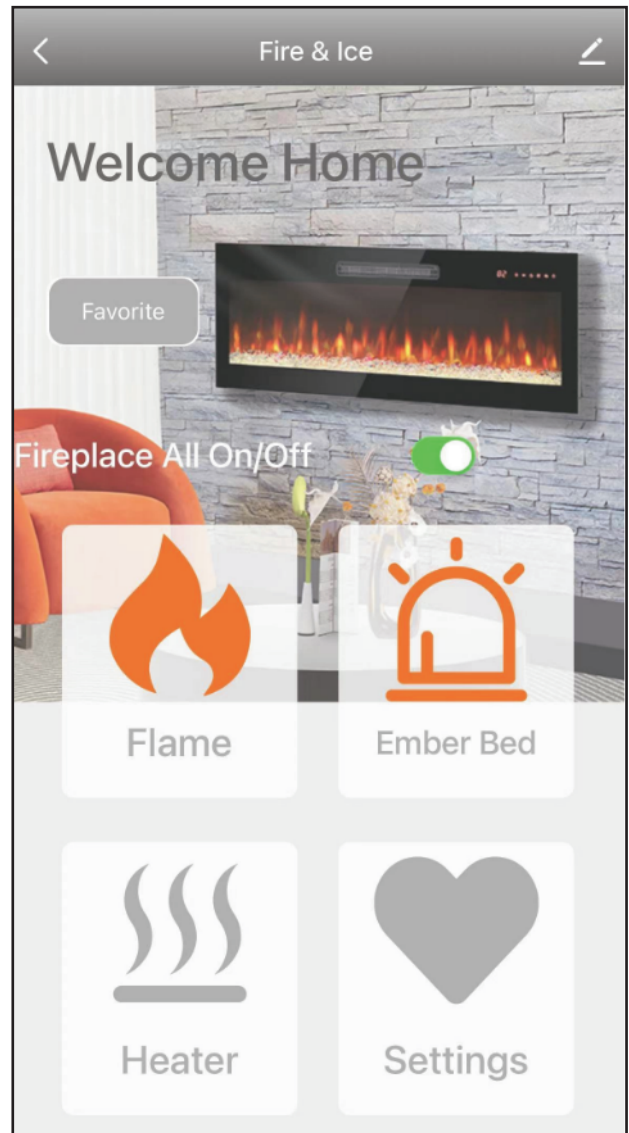


Figure 6

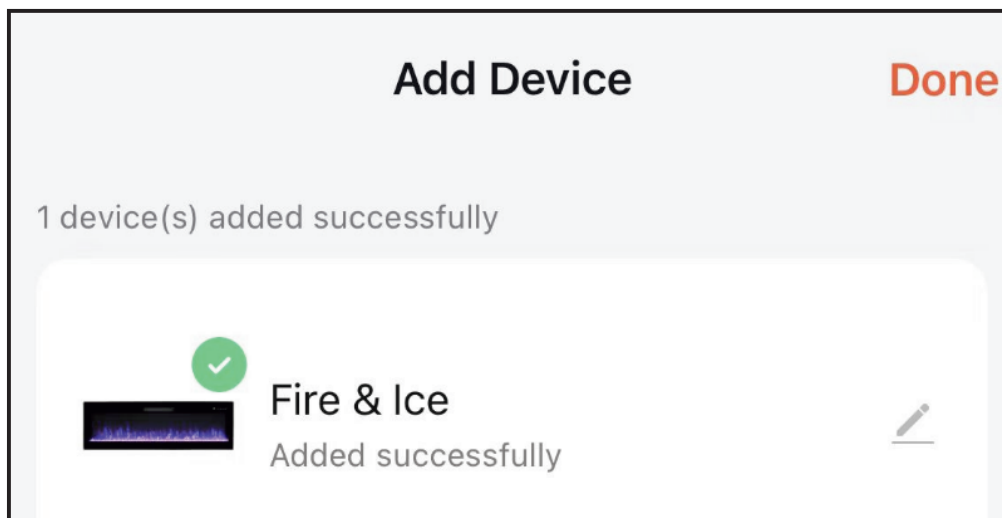


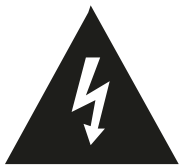
Figure 5

MAINTENANCE

Clean the metal trim using a soft cloth, slightly dampened with citrus oil based product and buff with a clean soft cloth.

DO NOT use brass polish or household cleaners as these products will damage the metal trim. Citrus oil based products can be obtained at supermarkets or hardware stores.

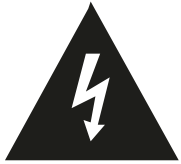
The motors used on the fan and the flame generator assembly are pre-lubricated for extended bearing life and require no further lubrication. However, periodic cleaning/vacuuuming of the fan/heater unit is recommended. Make sure the unit is turn OFF and unplugged whenever you are cleaning the heater of fireplace.



WARNING: Make sure the power is turned off before proceeding. Any electrical repairs or rewiring of this unit should be carried out by a licensed electrician in accordance with national and local codes. If repairing or replacing any electrical component or wiring, the original wire routing, color coding and securing locations must be followed.



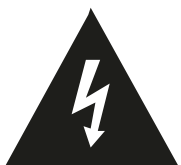
WARNING: Electric outlet wiring must comply with local building codes and other applicable regulations to reduce risk of fire, electric shock and injury to persons.



WARNING: Do not use this fireplace if any part of it has been under water. Immediately call a qualified service technician to inspect the fireplace and replace any part of the electrical system.



WARNING: Disconnect the power before attempting any maintenance or cleaning to reduce the risk of fire, electrical shock or personal injury.



WARNING: During any service of this appliance, the power to the unit must be turned off. Always remember to remove the electrical plug from the wall outlet.



WARNING: When the heater is not in use, the heater should be stored in a dry location, away from possible damage. The power cord should be stored properly to avoid contact with hot or sharp objects.

FCC STATEMENT

This device complies with part 15 of the FCC Rules. Operation is subject to the following two conditions: (1) This device may not cause harmful interference, and (2) this device must accept any interference received, including interference that may cause undesired operation.

This equipment has been tested and found to comply with the limits for a Class B digital device, pursuant to part 15 of the FCC Rules. These limits are designed to provide reasonable protection against harmful interference in a residential installation. This equipment generates, uses and can radiate radio frequency energy and, if not installed and used in accordance with the instructions, may cause harmful interference to radio communications. However, there is no guarantee that interference will not occur in a particular installation. If this equipment does cause harmful interference to radio or television reception, which can be determined by turning the equipment off and on, the user is encouraged to try to correct the interference by one or more of the following measures:

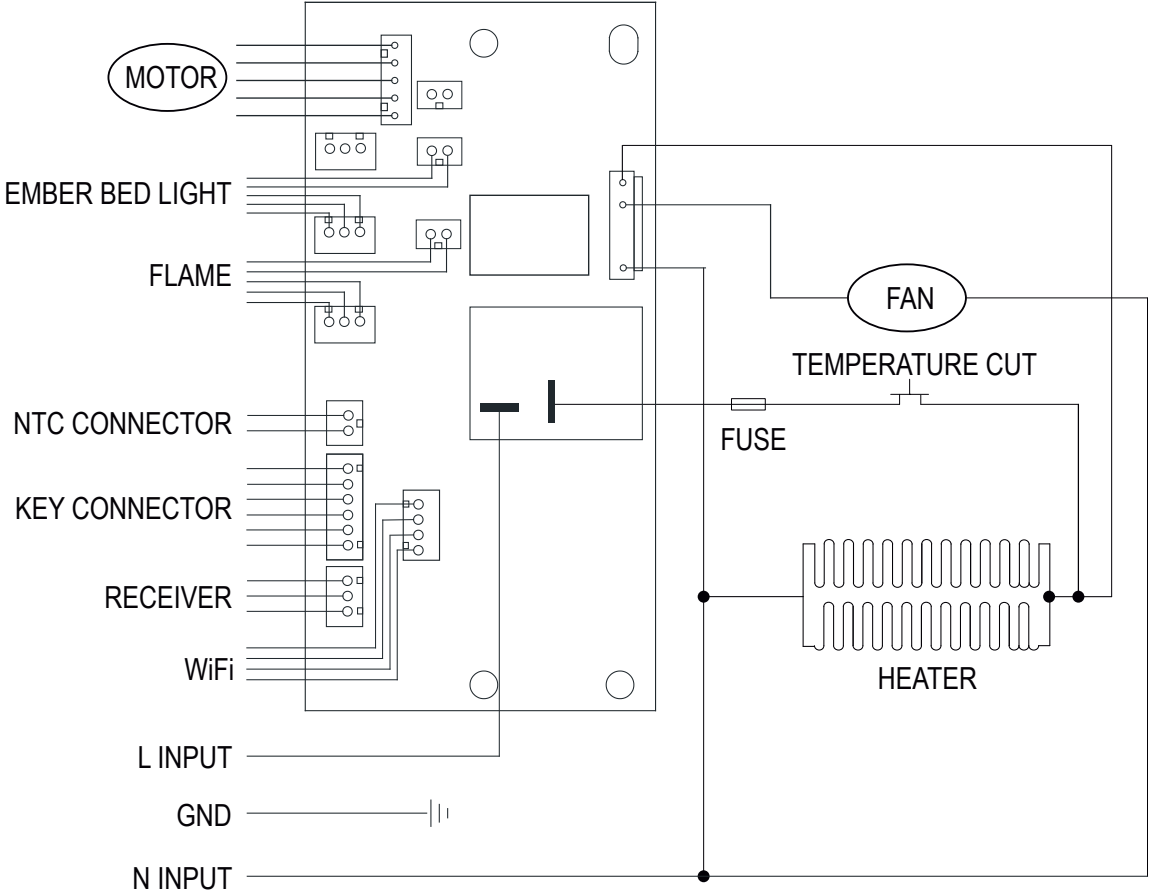
- Reorient or relocate the receiving antenna.
- Increase the separation between the equipment and receiver.
- Connect the equipment into an outlet on a circuit different from that to which the receiver is connected.
- Consult the dealer or an experienced radio/TV technician for help.

CAUTION: Changes or modifications not expressly approved by the party responsible for compliance could void the user's authority to operate the equipment.

TROUBLESHOOTING

Fault code	Fault Cause	Solution
E3	Heater is not working	Turn the unit off and unplug it from the electrical outlet. Check for dirty or clogged vents. Clean the dust and debris from the vent area. Wait 5 minutes, plug in the fireplace, and then turn it back on. If the heater still doesn't work, contact customer service.

WIRING DIAGRAM



1 YEAR LIMITED WARRANTY

Our electrical fireplace is free from manufacturing and material defects for a period of one year from date of purchase, subject to the following conditions and limitations.

1. This electric fireplace must be installed and operated at all times in accordance with the installation and operating instructions furnished with the product. Any unauthorized repair, alteration, willful abuse, accident, or misuse of the product shall nullify this warranty.
2. This warranty is non-transferable, and is made to the original owner, provided that the purchase was made through an authorized supplier of the company.
3. The warranty is limited to the repair or replacement of parts found to be defective in material or workmanship, provided that such part(s) has(have) been subjected to normal conditions of use and service, after said defect is confirmed by the Company's inspection.
4. The Company may, at its discretion, fully discharge all obligation with respect to this warranty by refunding the wholesale price of the defective part(s).
5. Any installation, labor, construction, transportation, or other related costs/expenses arising from defective part(s), repair, replacement, or otherwise of same, will not be covered by this warranty, nor shall the Company assume responsibility for same.
6. The owner/user assumes all other risks, if any, including the risk of any direct, indirect or consequential loss or damage arising out of the use, or inability to use the product, except as provided by law.
7. All other warranties - expressed or implied - with respect to the product, its components and accessories, or any obligation/liabilities on the part of the Company are hereby expressly included.
8. The Company neither assumes, nor authorizes any third party to assume, on its behalf, any other liabilities with respect to the sale of our product.
9. The warranties as outlined within this document do not apply to 3rd party accessories used in conjunction with the installation of this product.

This warranty is void if:

- a. The fireplace is subjected to prolonged periods of dampness or condensation.
- b. Any unauthorized alteration, willful abuse, accident, or misuse of the product.
- c. You do not have the original receipt of purchase.

Technical Support: 877.850.9458 - Ext 1
Customer Service: 877.850.9458 - Ext 5 Or
email us at: support@fireicefireplaces.com