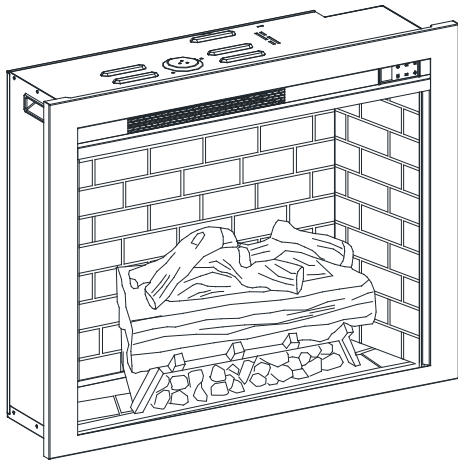


ELECTRIC FIREPLACE

www.fireandicefireplaces.com

INSTALLATION AND OPERATION INSTRUCTIONS FOR



CE26
SF26

CE30
SF30

CE33
SF33

SAFETY INFORMATION

WARNING

if the information in these instructions are not followed exactly, a fire or explosion may result causing property damage, personal injury or loss of life.

Do not store or use gasoline or other flammable vapors and liquids in the vicinity of this or any other.

INSTALLER: LEAVE THIS MANUAL WITH THE APPLIANCE.

CONSUMER: RETAIN THIS MANUAL FOR FUTURE REFERENCE.



WARNING: This product can expose you to chemicals including lead in the wiring, which is [are] known to the State of California to cause birth defects of other reproductive harm. For more information visit: www.p65warnings.ca.gov

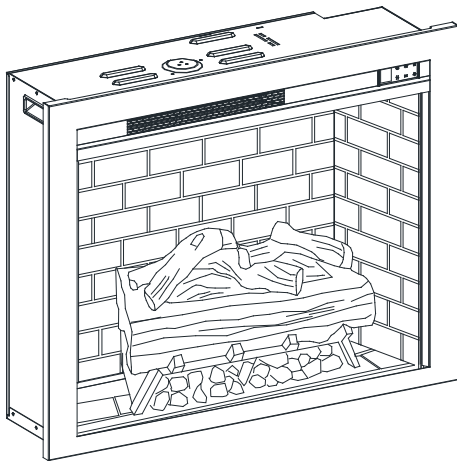
IMPORTANT INSTRUCTIONS

This section provides important safety precautions to follow when using electrical appliances to reduce the risk of fire, electrical shock, and injury.

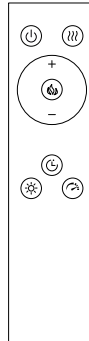
1. Read all instructions before using this heater.
2. This heater is hot when in use. To avoid burns, do not let bare skin touch hot surfaces. Keep combustible materials at least 3 feet away from the heater to avoid burns and fire hazards.
3. Extreme caution is necessary when using heaters around children or leaving them unattended.
4. Do not operate a malfunctioning heater and have it inspected by a professional before reusing.
5. Always unplug the appliance when not in use and do not use it with a damaged cord or plug.
6. Do not operate any heater with a damaged cord or plug, after the appliance malfunctions, or if it has been dropped or damaged in any manner.
7. If the supply cord is damaged, it must be replaced by the manufacturer, its service agent or similarly qualified persons in order to avoid a hazard.
8. Any repairs to this fireplace should be carried out by a qualified service person.
9. Under no circumstances should this fireplace be modified. Parts having to be removed for servicing must be replaced prior to operating this fireplace again.
10. Do not use outdoors.
11. The appliance must be properly grounded and not used in bathrooms or near water containers.
12. Do not run cord under carpeting. Do not cover cord with throw rugs, runners or the like. Arrange cord away from traffic areas and where it will not be tripped over.
13. To disconnect this appliance, turn controls to the off position, then remove plug from outlet.
14. Connect to properly grounded outlet only.
15. This appliance, when installed, must be electrically grounded in accordance with local codes or, in the absence of local codes, with the current CSA C22.1 Canadian Electrical Code or for USA installations, follow local codes and the National Electrical Code, ANSI/NFPA NO.70.
16. There is a protective thermostat limiter inside the heater. When the inner temperature overheats, the thermostat limiter will shut off the power supply to avoid the risk of fire damage to the appliance.
17. The heaters must not be located immediately below a socket-outlet.
18. Do not insert or allow foreign objects to enter any ventilation or exhaust opening as this may cause an electric shock or fire or damage the appliance.
19. To prevent a possible fire, do not block air intakes or exhaust in any manner. Do not use on soft surfaces, like a bed, where opening may become blocked.
20. This appliance has hot and arcing or sparking parts inside. Do not use where gasoline, paint, or flammable liquids are used or stored. This fireplace should not be used as a drying rack for clothing. Christmas stockings or decorations should not be hung around it.
21. Use this appliance only as described in the manual. Any other use not recommended by the manufacturer may cause fire, electric shock or injury to persons.
22. Always plug heaters directly into a wall outlet/receptacle. Never use with an extension cord or relocatable power tap (outlet/power strip).

SAVE THESE INSTRUCTIONS

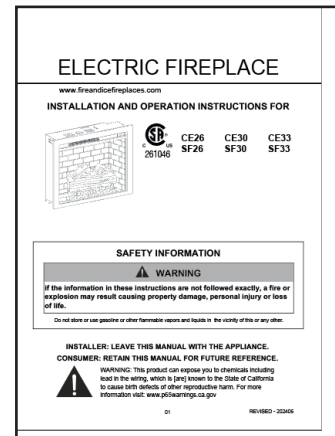
PACKAGE CONTENTS



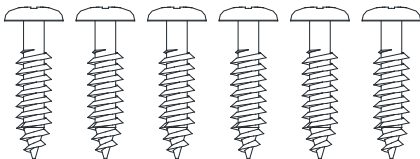
Fireplace



Remote Control



Manual



Screws



Plastic Wire Ring

ELECTRICAL SPECIFICATIONS

Voltage: 120VAC

Rating: 1500 Watts

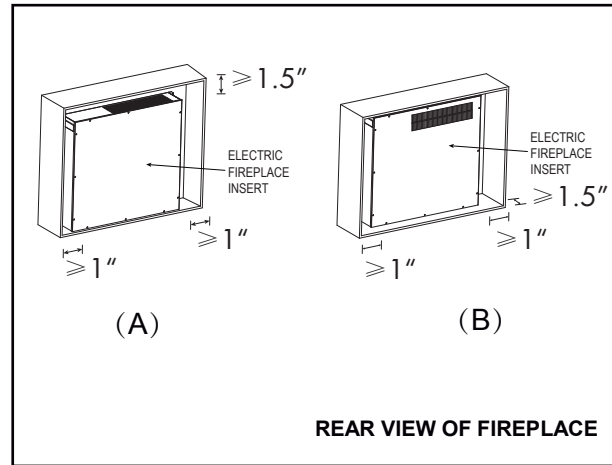
Frequency: 60Hz

INSTALLATION INSTRUCTIONS

Plan the installation of your fireplace to avoid the use of an extension cord, and ensure that you have clear access to a grounded electrical outlet. The fireplace appliance comes with a standard 6-ft. (1.8m) 3-wire cord exiting from the rear of the fireplace.

Make sure to secure the electrical cord before lifting or moving the completed fireplace. With the help of an adult, carefully lift the completed fireplace mantel, forward facing, to the final location you have chosen.

Figure 1

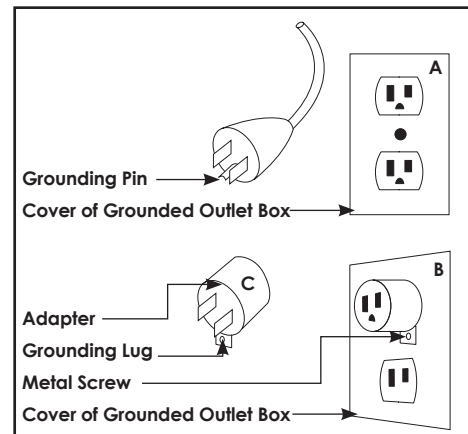


GROUNDING INSTRUCTIONS:

This heater is for use on 120 volts. The cord has a plug as shown at (A) in figure 2. An adapter as shown at (C) is available for connecting three-blade grounding-type plugs to two-slot receptacles. The green grounding lug extending from the adapter must be connected to a permanent ground such as a properly grounded outlet box. The adapter should not be used if a three-slot grounded receptacle is available.

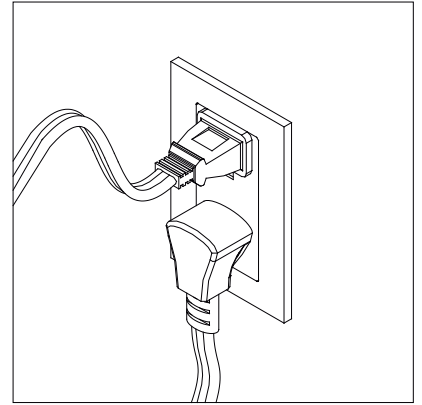
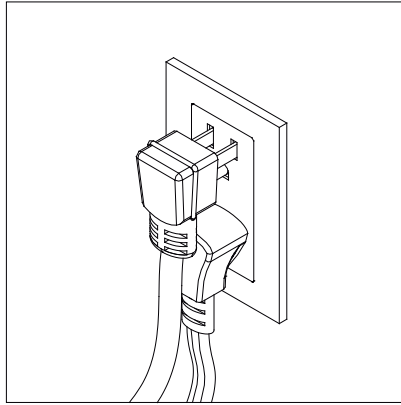
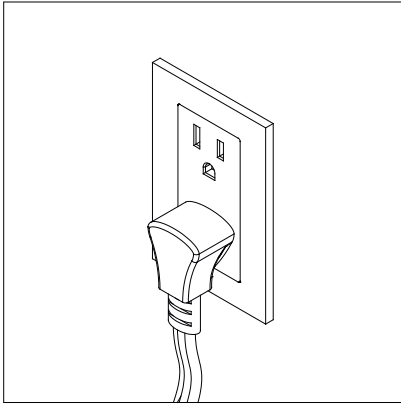
NOTE: Adapters are NOT for use in Canada.

Figure 2

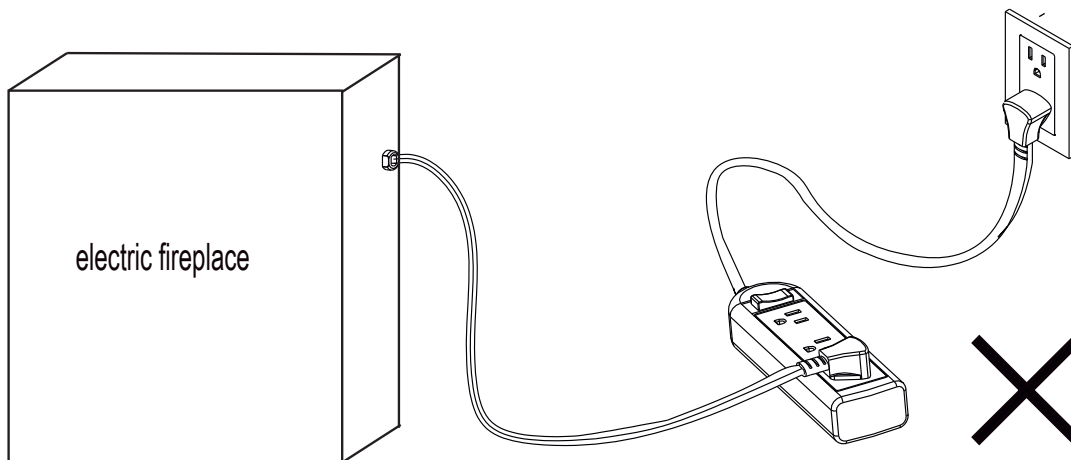




Do not share a socket with other appliances when using the electric fireplace. Please use a dedicated socket.



Never use with an extension cord or relocatable power tap (outlet / power strip).



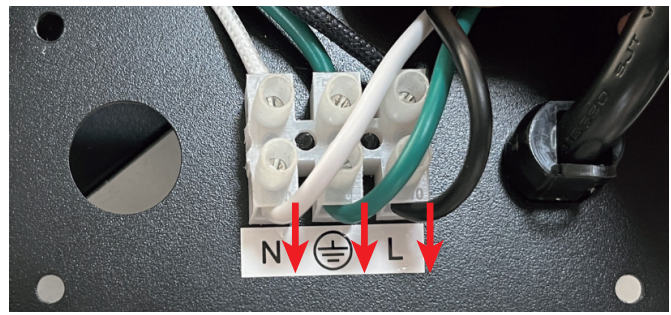
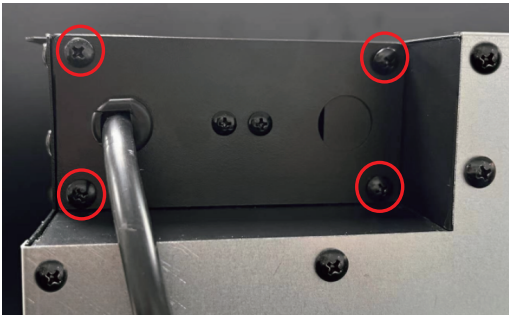
HARDWIRE INSTALLATION

If it is necessary to hardwire this appliance, a qualified electrician must remove the cord connection, and wire the appliance directly to the house hold wiring.

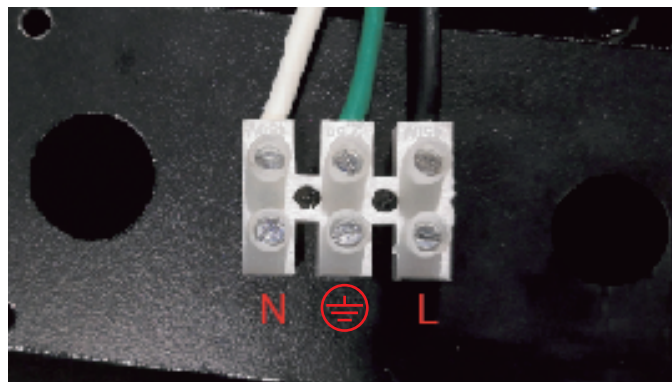
This appliance must be electrically connected and grounded in accordance with local codes if hard-wired. In the absence of local codes, use the current CSA C22.1 CANADIAN ELECTRICAL CODE in Canada or the current ANSI/NFPA 70 NATIONAL ELECTRICAL CODE in the United States.

1. Test the fireplace before removing the cord.

Remove the cover plate from the back top left corner of the fireplace by removing the four screws as shown below. Unscrew and remove the power cord.



2. Attach the plastic wire ring to the cover plate. Attach the wiring to the junction block. Please make sure the live wire goes into the “L,” the neutral wire into “N” and the ground wire into “⊕.”



3. Return the cover plate to the back top left corner and screw the four screws back in to fasten the plate.



BUILT IN WALL

PREPARATION: The installation instructions provide guidelines for safely installing a fireplace cabinet. The cabinet dimensions for three different models are provided, along with the dimensions of the back of the fireplace. The instructions include steps for preparing the wall, testing the appliance, and securing the fireplace to the cabinet.

1. Select a location that is not prone to moisture and is located at least 0.9m or 3 feet away from combustible materials such as curtains, drapes, furniture, bedding, paper, etc.
2. Prepare a wall with a framed opening to accommodate the size of your unit. Any new wiring must be done in compliance with local and national codes and other applicable regulations.
3. Prior to installing, test the appliance to make sure the appliance is fully operational by plugging the power supply cord into a 120 Volt grounded outlet.

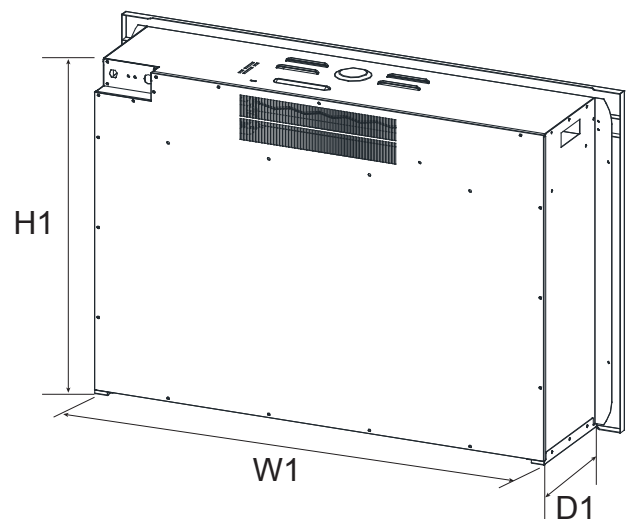
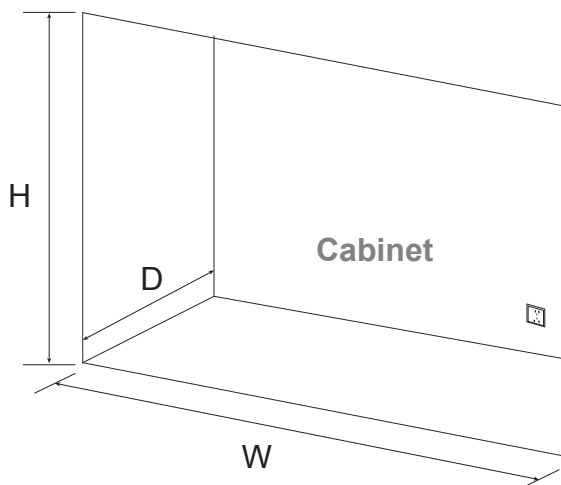
NOTE: Due to the many different materials used to build walls, it is highly recommended that you consult your local builder before you install this appliance on a wall.

Cabinet dimensions

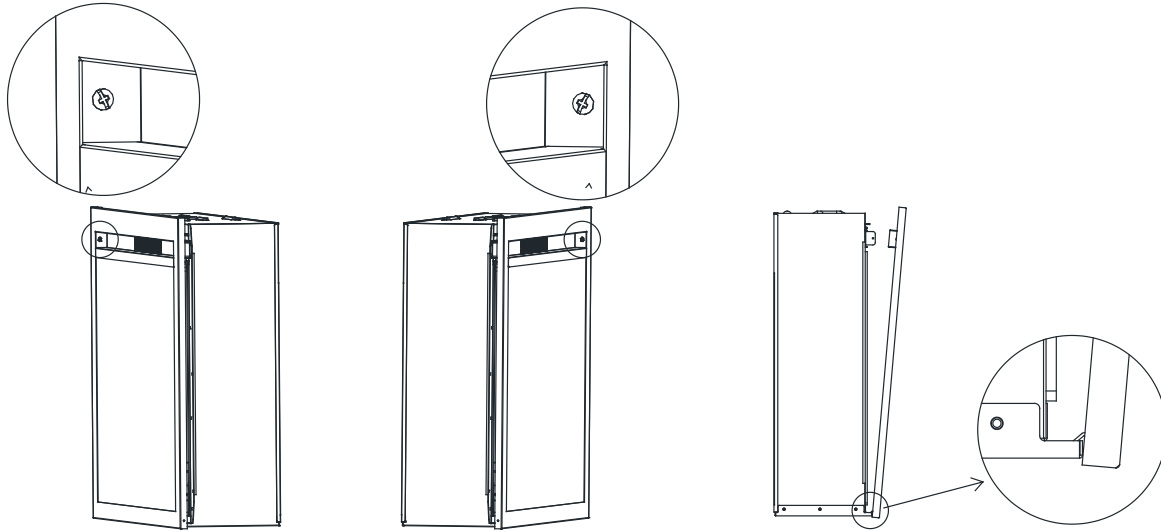
Cabinet	W	D	H
CE26/SF26	22.7 in / 57.7 cm	8.5 in / 21.7 cm	20.75 in / 52.7 cm
CE30/SF30	27.8 in / 70.7 cm	8.5 in / 21.7 cm	23.8 in / 60.4 cm
CE33/SF33	33.0 in / 83.8 cm	9.7 in / 24.7 cm	26.7 in / 67.8 cm

The back of the fireplace dimensions

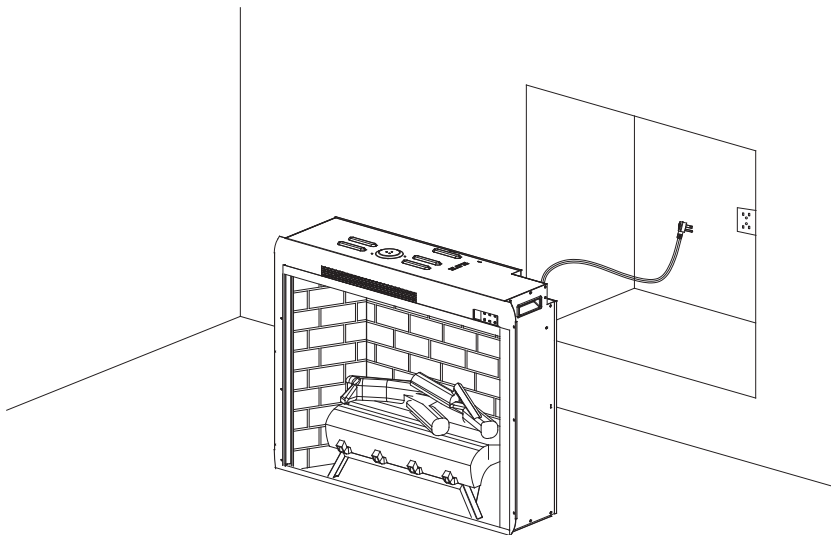
fireplace	W1	D1	H1
CE26/SF26	21.9 in / 55.7 cm	7.5 in / 19.0 cm	20.5 in / 52.0 cm
CE30/SF30	27.0 in / 68.7 cm	7.5 in / 19.0 cm	23.5 in / 59.7 cm
CE33/SF33	32.2 in / 81.8 cm	8.7 in / 22.0 cm	26.4 in / 67.1 cm



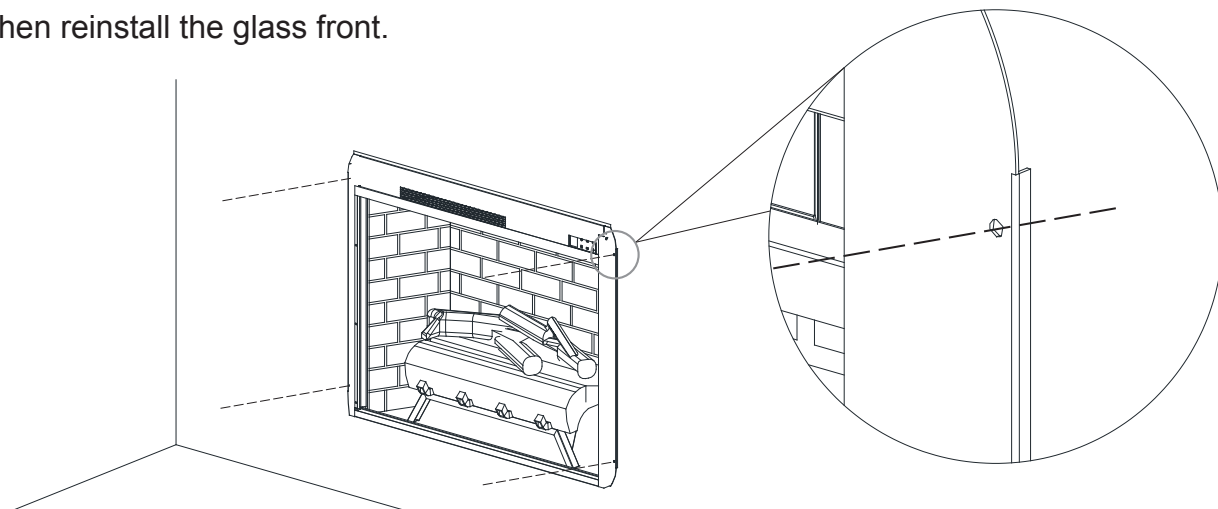
1. Remove the 2 screws on the top left and right sides of the fireplace that hold the glass front in place, then remove the glass front slightly upward.



2. Plug into the power supply and put the fireplace into the cabinet.

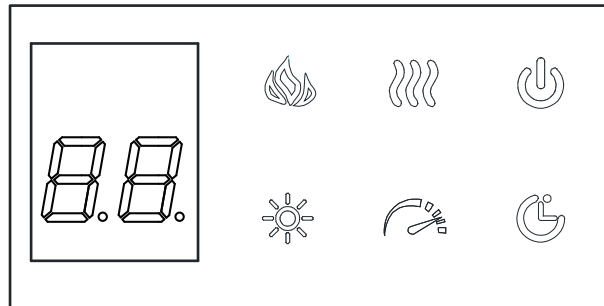


3. Use the provided screws to secure the fireplace to cabinet.
Then reinstall the glass front.



OPERATING INSTRUCTIONS

On the top-right of the fireplace is the touchscreen control panel. This panel contains the buttons to properly operate the electric fireplace.



POWER

The power button turns the fireplace on and off. When the fireplace is off, pressing the power button once will switch on the fireplace. Once on, if the fireplace display is not illuminated, pressing the power button will light up the display. If the power button is pressed again within 10 seconds it will turn off the fireplace. If the display is already illuminated, then only one press of the power button is needed to turn off the fireplace.

The power button has a built in memory function that will retain the status of the fireplace when turned off. With the exception of the timer, the fireplace will restart in its previous status. If the fireplace is disconnected from the main power source, it will lose the memory and restart at the default settings.

FLAME

The flame button is used to turn flames ON, to alter the flame color and to turn flames OFF. There are 4 flame colors (L1-L4) and an OFF position you can cycle through. When the flame is in OFF position and the heater is turned on, the ember bed will be slightly bright to indicate that the heater has been turned on.

HEATER

The heater button is used to turn the heater on and off. Pressing the heater button once turns the heater on. Pressing the heater button a second time within 10 seconds will turn the heater off. When the heater is turned off, the quartz tubes will stop working first, and then the blower will stop after 60 seconds.

When the heater is on, pressing the heater button for 5 seconds will adjust the temperature. There are 11 temperature settings: 82 °F - ON - 64 °F - 66 °F - 68 °F - 70 °F - 72 °F - 74 °F - 76 °F - 78 °F - 80 °F (27 °C - ON - 18 °C - 19 °C - 20 °C - 21 °C - 22 °C - 23 °C - 24 °C - 25 °C - 26 °C).

Temperature Unit Convert Function: The heater includes Celsius and Fahrenheit temperature scales. To change the temperature unit, turn the heater on, and then press and hold the Power Button for 5 seconds. The current temperature unit display will flash 3 times and convert to the other temperature unit. Note: The remote control cannot convert the temperature units.

Lock and Unlock Heater Function: Press and hold the heater button for 10 seconds. The ember bed will flash 6 times, indicating that the heater function is locked. To unlock the heater function, press and hold the heater button for 10 seconds. The ember bed will flash 6 times, indicating the heater function is unlocked. Note: The remote cannot set the lock and unlock heater function.

TIMER

The timer has adjustable settings from 1 hour to 9 hours and OFF. These are shown as: 1h-2h-3h-4h-5h-6h-7h-8h-9h-OFF. If the digital display turns on and no timer setting is chosen within 10 seconds, the digital display will shut off automatically. Once you set the timer and the timer is up, the unit will close all functions and enter standby mode. In this mode, you will need to press the power button to restart the appliance.

SPEED

The speed button is used to adjust the flame speed. There are 3 flame speeds and are shown as P2-P3-P1. The default speed is medium, P2. The fastest flame speed is P3, and the slowest flame speed is P1.

BRIGHTNESS

The brightness button is used to adjust the brightness of the flame and ember bed. The settings are displayed as 5-4-3-2-1. The brightest setting is 5, and the lowest setting is 1.

REMOTE CONTROL

Power

The Power Button turns the fireplace ON and OFF.

Heater

The Heater Button turns the heat ON and OFF. Press “+” or “-” button to set the temperature.

Flame

The Flame Button is used to turn the flames ON, to alter the flame color, and turn the flames OFF.

Timer

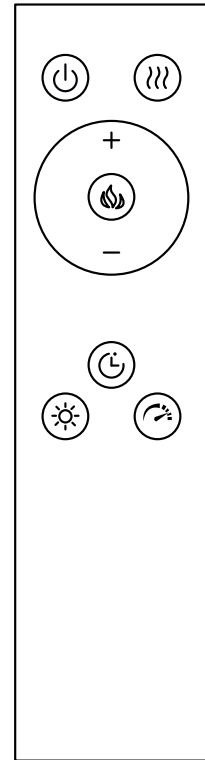
The Timer Button turns the timer ON and OFF. Press “+” or “-” button to adjust the timer.

Brightness

The Brightness Button adjusts the brightness of the flame and ember bed.

Speed

The Speed Button is used to adjust the flame speed.

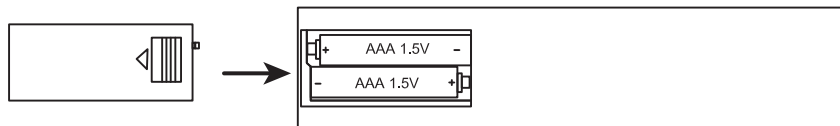


BATTERY REPLACEMENT

The battery compartment is located on the back end of the remote control.

1. Press and slide the battery cover open.
2. Insert two 1.5V (AAA) batteries ensuring they are installed correctly with regard to the polarities (+ and -) marked on the inside of the battery compartment.
3. Replace the battery cover.

NOTE: The batteries should be removed if the product is to be left unused for a long time.



When replacing the batteries, replace both batteries at the same time with new batteries of the correct type.

- Do not mix old and new batteries.
- Do not mix alkaline, standard (Carbon-Zinc), or rechargeable (Nicad, Nimh, etc) batteries.

WIFI OPERATION

INSTALL TuyaSmart life

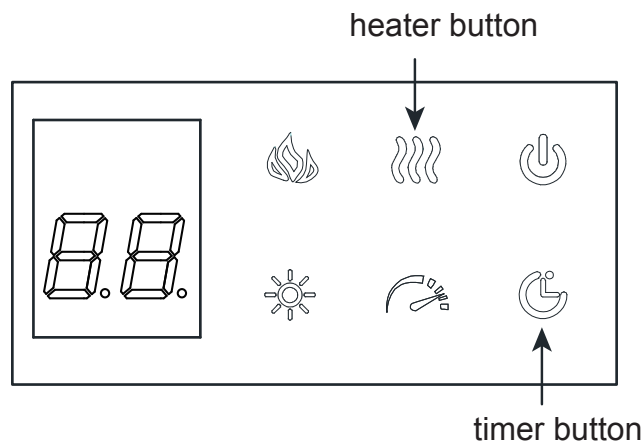
There are 2 ways to install TuyaSmart;

1. Search for “TuyaSmart life” in the APP store on your phone; download and install.
2. Scan the QR code below with your mobile phone.



WIFI SETTING AND FIREPLACE OPERATION

NOTE: Before log in TuyaSmart, Make sure the Wi-Fi signal is good and know the Wi-Fi account and password. Then pressing the timer button 5 seconds until heater button blink quickly to activate WiFi.



1. Create an account and log in.(Figure 1)

2. When you log in, the APP will scan and add the fireplace to APP(Figure.2) automatically. Touch “Add” to enter in Figure 3. Touch “+” to set your Wi-fi account and password(Figure 4). Touch “Next” to enter Figure 5. Touch “Done” to finish Wi-fi setting.

3. You will proceed to the app interface (Figures 6 and 7) and can operate the fireplace via Wi-Fi.

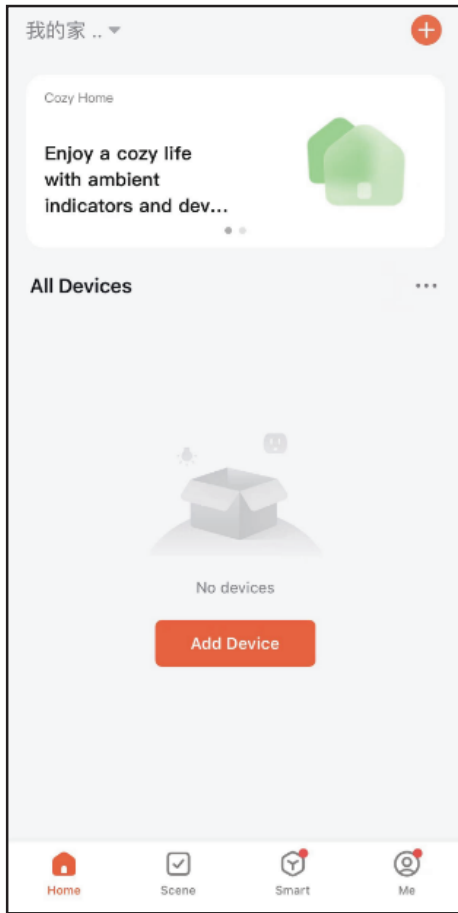


Figure 1

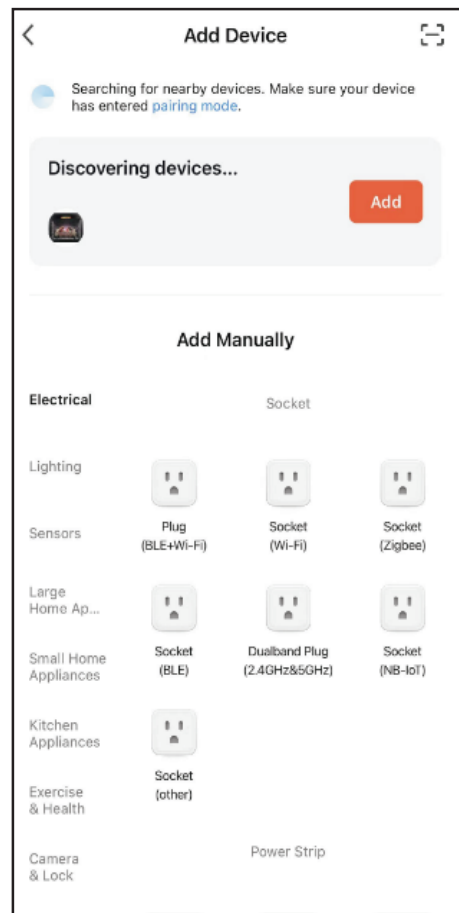


Figure 2

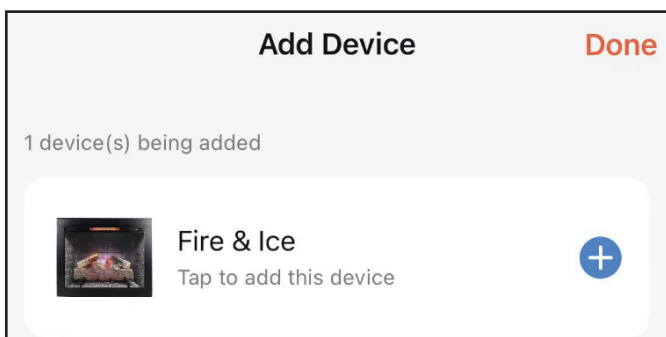


Figure 3

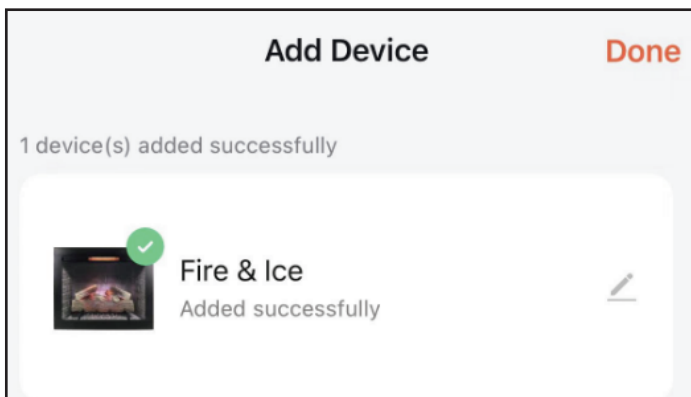


Figure 5

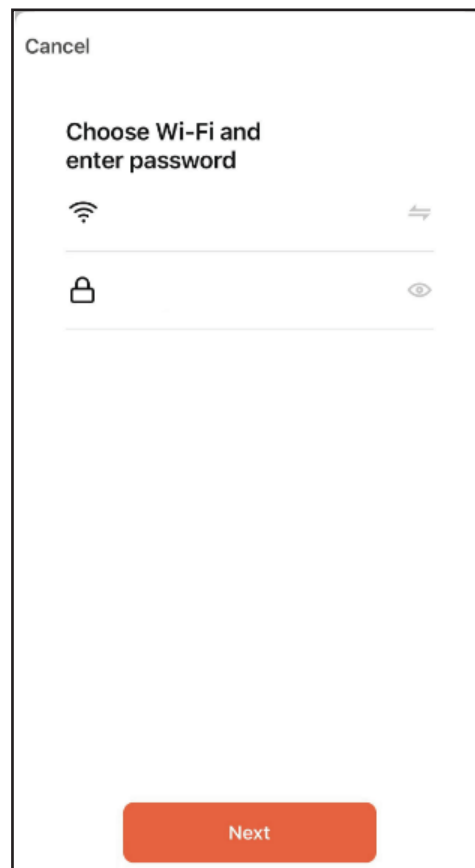


Figure 4

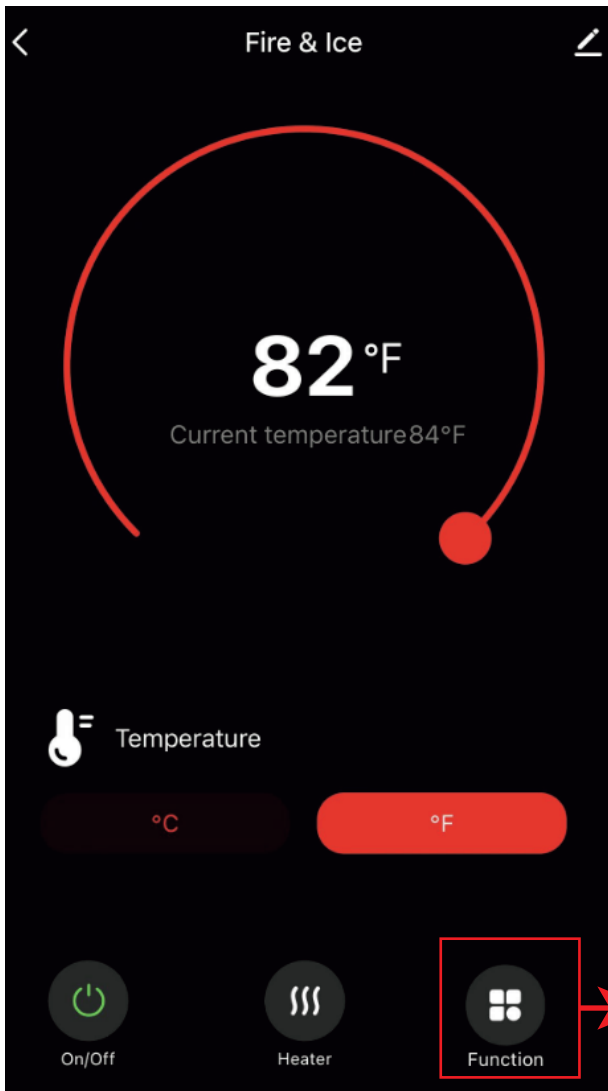


Figure 6

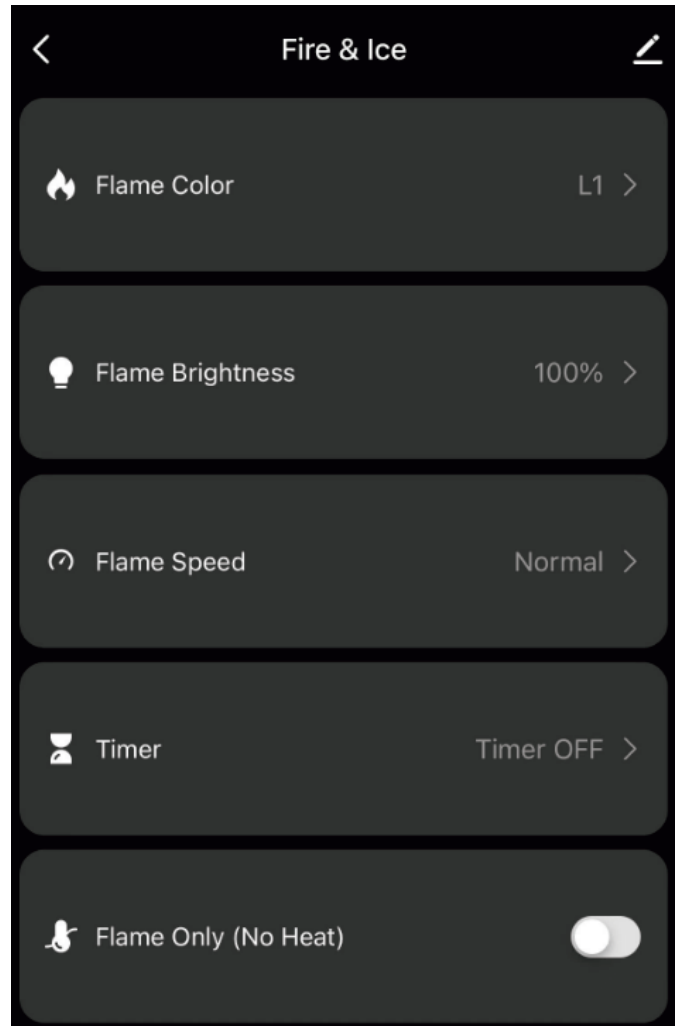


Figure 7

MAINTENANCE

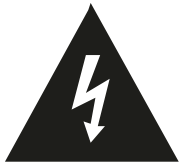
Clean the metal trim using a soft cloth, slightly dampened with citrus oil based product and buff with a clean soft cloth.

DO NOT use brass polish or household cleaners as these products will damage the metal trim. Citrus oil based products can be obtained at supermarkets or hardware stores.

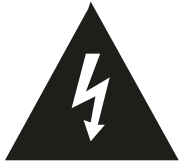
The motors used on the fan and the flame generator assembly are pre-lubricated for extended bearing life and require no further lubrication. However, periodic cleaning/vacuuuming of the fan/heater unit is recommended. Make sure the unit is turn OFF and unplugged whenever you are cleaning the heater of fireplace.



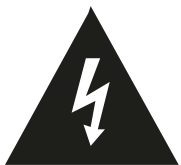
WARNING: Make sure the power is turned off before proceeding. Any electrical repairs or rewiring of this unit should be carried out by a licensed electrician in accordance with national and local codes. If repairing or replacing any electrical component or wiring, the original wire routing, color coding and securing locations must be followed.



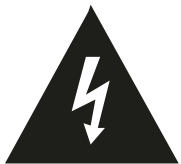
WARNING: Electric outlet wiring must comply with local building codes and other applicable regulations to reduce risk of fire, electric shock and injury to persons.



WARNING: Do not use this fireplace if any part of it has been under water. Immediately call a qualified service technician to inspect the fireplace and replace any part of the electrical system.



WARNING: Disconnect the power before attempting any maintenance or cleaning to reduce the risk of fire, electrical shock or personal injury.



WARNING: During any service of this appliance, the power to the unit must be turned off. Always remember to remove the electrical plug from the wall outlet.



WARNING: When the heater is not in use, the heater should be stored in a dry location, away from possible damage. The power cord should be stored properly to avoid contact with hot or sharp objects.

FCC STATEMENT

This device complies with part 15 of the FCC Rules. Operation is subject to the following two conditions: (1) This device may not cause harmful interference, and (2) this device must accept any interference received, including interference that may cause undesired operation.

This equipment has been tested and found to comply with the limits for a Class B digital device, pursuant to part 15 of the FCC Rules. These limits are designed to provide reasonable protection against harmful interference in a residential installation. This equipment generates, uses and can radiate radio frequency energy and, if not installed and used in accordance with the instructions, may cause harmful interference to radio communications. However, there is no guarantee that interference will not occur in a particular installation. If this equipment does cause harmful interference to radio or television reception, which can be determined by turning the equipment off and on, the user is encouraged to try to correct the interference by one or more of the following measures:

- Reorient or relocate the receiving antenna.
- Increase the separation between the equipment and receiver.
- Connect the equipment into an outlet on a circuit different from that to which the receiver is connected.
- Consult the dealer or an experienced radio/TV technician for help.

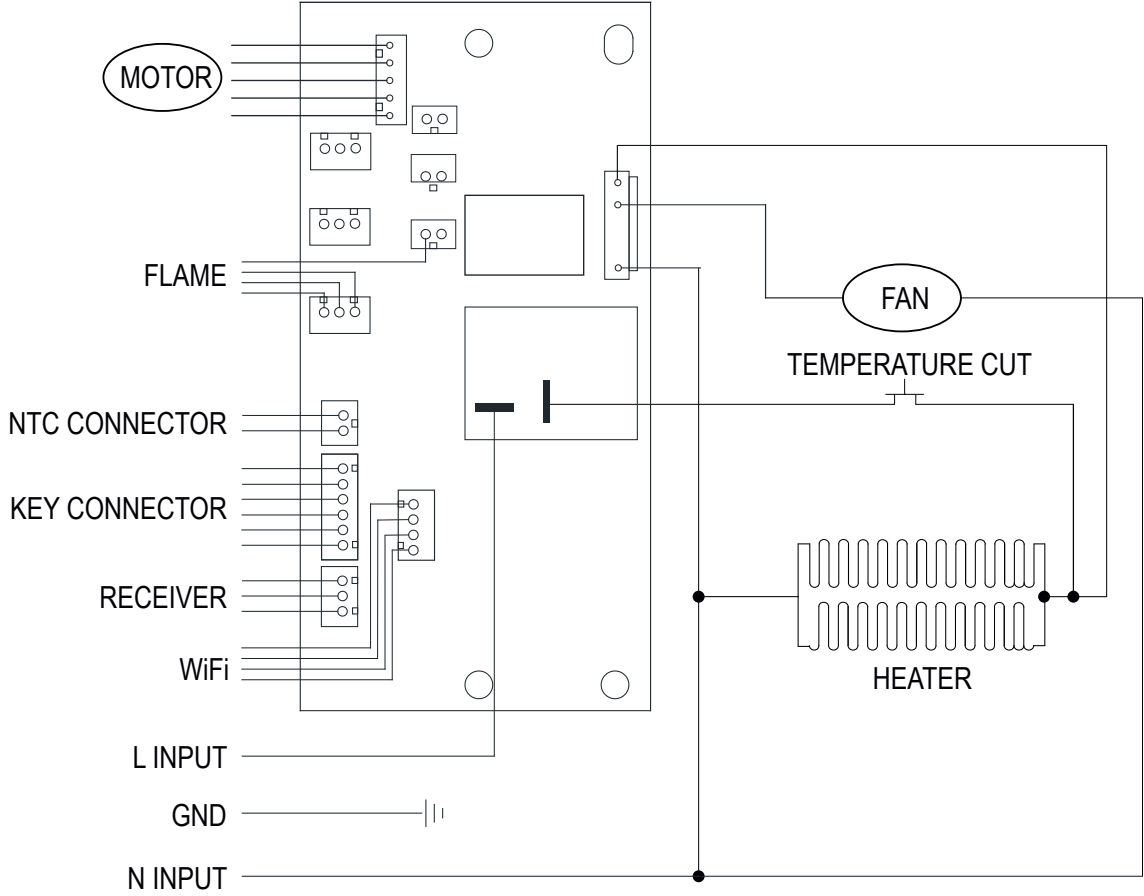
CAUTION: Changes or modifications not expressly approved by the party responsible for compliance could void the user's authority to operate the equipment.

TROUBLESHOOTING

The given text provides a table with fault codes, causes, and solutions for common heater issues.

Fault code	Fault Cause	Solution
E1	Heater is overheating	Contact customer service
E3	Heater is not working	Turn the unit off and unplug it from the electrical outlet. Check for dirty or clogged vents. Clean the dust and debris from the vent area. Wait 5 minutes, plug in the fireplace, and then turn it back on. If the heater still doesn't work, contact customer service.

WIRING DIAGRAM



1 YEAR LIMITED WARRANTY

Our electrical fireplace is free from manufacturing and material defects for a period of one year from date of purchase, subject to the following conditions and limitations.

1. This electric fireplace must be installed and operated at all times in accordance with the installation and operating instructions furnished with the product. Any unauthorized repair, alteration, willful abuse, accident, or misuse of the product shall nullify this warranty.
2. This warranty is non-transferable, and is made to the original owner, provided that the purchase was made through an authorized supplier of the company.
3. The warranty is limited to the repair or replacement of parts found to be defective in material or workmanship, provided that such part(s) has(have) been subjected to normal conditions of use and service, after said defect is confirmed by the Company's inspection.
4. The Company may, at its discretion, fully discharge all obligation with respect to this warranty by refunding the wholesale price of the defective part(s).
5. Any installation, labor, construction, transportation, or other related costs/expenses arising from defective part(s), repair, replacement, or otherwise of same, will not be covered by this warranty, nor shall the Company assume responsibility for same.
6. The owner/user assumes all other risks, if any, including the risk of any direct, indirect or consequential loss or damage arising out of the use, or inability to use the product, except as provided by law.
7. All other warranties - expressed or implied - with respect to the product, its components and accessories, or any obligation/liabilities on the part of the Company are hereby expressly included.
8. The Company neither assumes, nor authorizes any third party to assume, on its behalf, any other liabilities with respect to the sale of our product.
9. The warranties as outlined within this document do not apply to 3rd party accessories used in conjunction with the installation of this product.

This warranty is void if:

- a. The fireplace is subjected to prolonged periods of dampness or condensation.
- b. Any unauthorized alteration, willful abuse, accident, or misuse of the product.
- c. You do not have the original receipt of purchase.

Technical Support: 877.850.9458 - Ext 1
Customer Service: 877.850.9458 - Ext 5 Or
email us at: support@fireicefireplaces.com