



Legacy Fireplace Door

Overlap & Inside Fit



Installation & User Guide

Installer please leave this with homeowner

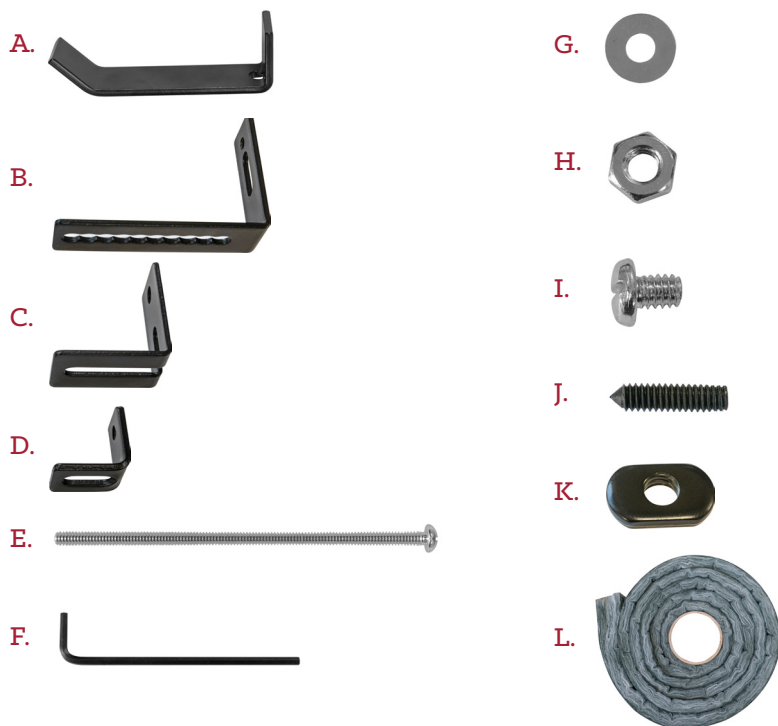
Thank You!

Thank you for purchasing a Stoll Fireplace Enclosure! We are confident this quality product will last you for years to come. If you need further help or additional information regarding installation, please reach out to your local dealer for assistance.

Parts and Tools

Parts and Tools		Qty
A.	Lintel Bracket	2
B.	"L" Bracket	4
C.	Alternative Bracket	4
D.	Ztab Bracket	4
E.	Lintel Bolt	2
F.	Allen Wrench	1
G.	1/4" Flat Washer	2
H.	1/4" Adjustment Nut	2
I.	1/2" Mounting Bolt	4
J.	Set Screw	4
K.	Track Nut	4
L.	High Heat Insulation Roll	1

**Your installation kit may contain extra components that are not needed for your particular application. These can be discarded.*

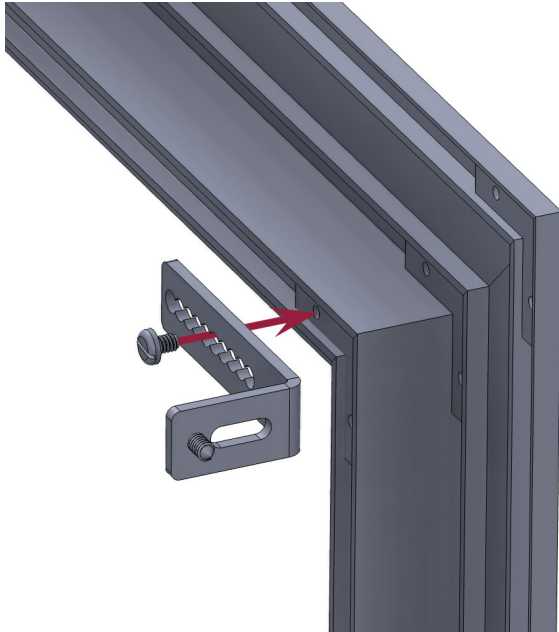


Installation Methods

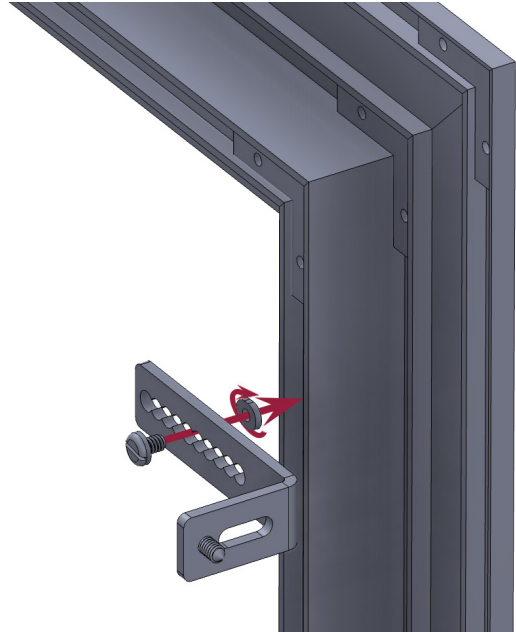
Your installation kit contains hardware for multiple types of fireplaces and applications. There are two methods to mount each type of bracket, see the descriptions below to see which type works best for your application.

A. Corner Key: Install the mounting bolt directly into one of the holes in the corner key closest to surface you are mounting the door to.

B. Track Nuts: Install the mounting bolt into the track nuts (K), which allows you to mount anywhere on the track that runs along the entire back of the frame. The track-nut will turn and lock in place in the track as you tighten the bolt. This is especially useful if you need to clear an obstruction or place the mounting in a certain area.



Corner Key Mounting



Track-nut Mounting

Mount/Fireplace Types

Please see the list of mount types below and their location in this guide.

Masonry Overlap: *Pages 4-5*

Inside Fit & ZC: *Page 6*

Alternate methods: *Page 7*

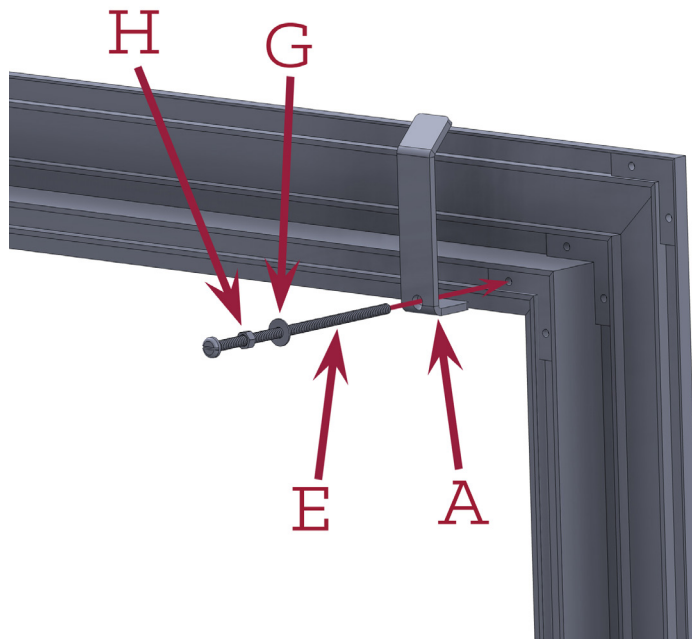
Mesh Installation

If your door includes Mesh Screen Doors, remove them from the enclosure before installation. To remove them, lift up on the hinge side of each door to allow the hinge pins to be removed from their mounting holes.

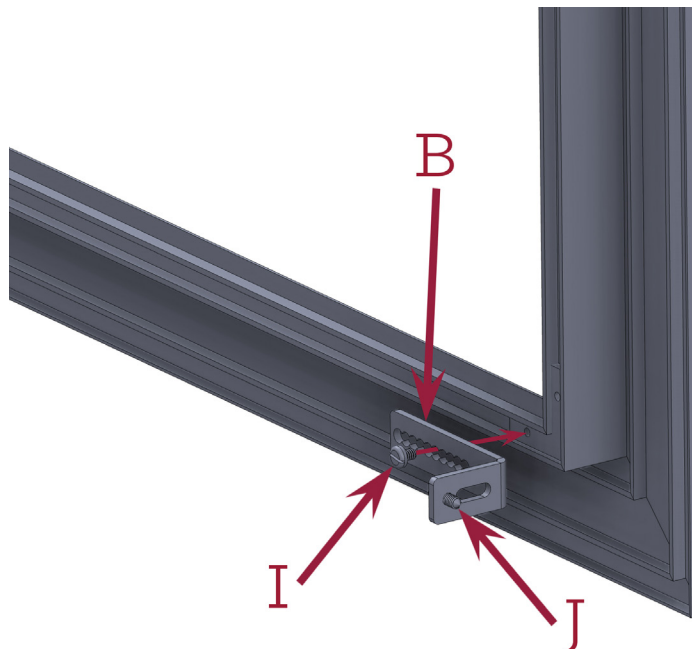
2. If your door includes Hanging Mesh Screens, follow the separate instructions to install them at this time. *The hanging mesh panels are packed flat between layers of cardboard. Be careful not to discard them accidentally.*

Masonry Overlap Installation

1. Assemble two Lintel Clamps by threading an adjustment nut (H), a flat washer (G), and a Lintel Bracket (A) onto a Lintel Bolt (E) in the order shown.
2. Attach the assembled Lintel Clamp bolts to the top of the frame using your preferred mounting method. Do not over-tighten.
3. Using the 1/2" Mounting Bolts (I), fasten two "L" Brackets (B) to the bottom of the frame. Insert one Set Screw (J) into the threaded hole on each of the "L" Brackets.



Lintel Clamp Assembly



"L" Bracket Assembly

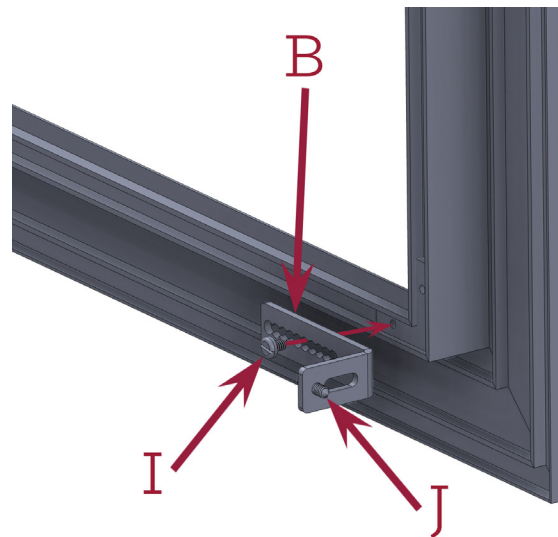
Masonry Overlap continued..

4. Center the Fireplace Enclosure frame in the fireplace opening.
5. Insulation (L) is provided to help close rough openings and gaps if desired. Cut pieces of insulation to length and fit them into the top and both sides of the enclosure frame. If frame is also overlapping on bottom, add insulation as needed.
6. Turn the Lintel Clamps up toward the top of the fireplace to grip the fireplace lintel, and tighten the adjustment nuts (H), clamping the top of the frame in place.
7. Using the included Allen Wrench (F), tighten the Pressure Screws (J) in the bottom “L” Brackets (B) against the side of the fireplace opening, securing the bottom of the frame in place.
8. Re-install the Mesh Screen Doors (if applicable).



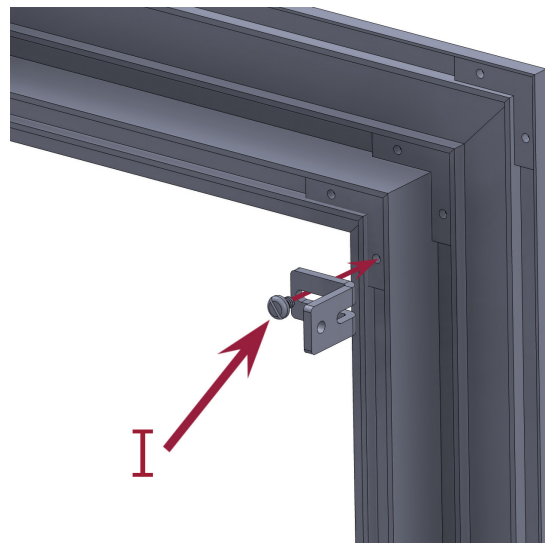
Inside Fit & ZC Installation

1. Two bracket options may be used: The Ztab Brackets (D), or the larger “L” Brackets (B).
2. Using the 1/2” Mounting Bolts (I), attach four brackets to the frame. Insert one Set Screw (J) into the threaded hole on each of the Brackets.
3. Center the Fireplace Enclosure frame in the fireplace opening.
4. Using the included Allen Wrench (F), tighten the Pressure Screws (J) against the sides of the fireplace opening, securing the frame in place.
5. Re-install the Mesh Screen Doors (if applicable).



Alternative Mounting

1. If desired, the door can also be mounted using your choice of screw, lag, or fastener (not included).
2. Using the 1/2" Mounting Bolts (I), attach four Alternative Brackets (C) to the frame. The Ztab Brackets (D), or the "L" Brackets (B) can also be used if desired.
3. Center the Fireplace Enclosure frame in the fireplace opening.
4. Insulation (L) is provided to help close rough openings and gaps if desired. Cut pieces of insulation to length and fit them into the top and both sides of the enclosure frame. If frame is also overlapping on bottom, add insulation as needed.
5. Using the fasteners of your choice, attach the brackets to the sides of the fireplace opening, securing the frame in place.
6. Re-install the Mesh Screen Doors (if applicable).



Adjustments & Alignment

IMPORTANT: Check that the Doors in the enclosure are aligned properly.

- If the Doors do not close properly, or do not lay flat against the frame, the frame is most likely being torqued. Typically this means that the fireplace face is not perfectly flat, plumb, level, or that the opening is not perfectly square. Do not force the enclosure frame to conform to a fireplace that is not plumb or level.

Visit www.stollindustries.com/video-library/ for more videos on how to adjust your doors.

NOTE: Failure to align the Fireplace Enclosure Glass Doors properly may result in glass breakage or other damage directly attributable to improper installation.

Operation & Maintenance

- Stoll Industries fireplace doors are designed to be used with glass doors open when the fire is burning. Exceptions to this rule may include Pyro-Ceramic glass, Airwash, and Outside Air Kits. Please discuss these options with your local Fireplace Dealer, as code requirements and applications can vary.
- Excessive heat can cause damage to the Fireplace Enclosure and/or loss of temper in glass resulting in glass breakage. A very hot wood or gas fire, hot coals, embers, ashes, and/or logs coming in contact with the back of the enclosure can cause discoloration or more serious damage to the enclosure finishes. This type of damage, caused by overheating, is considered abuse and is not covered under warranty.
- If you are burning wood, and normally close the glass doors while the fire is dying down, keep in mind that this will tend to result in smoke residue or soot accumulation on the glass. If cleaned regularly this staining can be removed using glass cleaner or a mild household cleaner. For heavier stains, the use of a glass cleaner specifically formulated for removing wood smoke residue may be needed. Your local fireplace dealer can assist you in ordering this cleaner, if needed.
- Your Stoll door and door frame finish can be cleaned using a damp cloth, or mild household cleaner. To avoid damage to the finish, cleaners containing ammonia or other harsh chemicals should be avoided.

Warranty

Your Fireplace Doors are covered by a 5 year limited warranty. For more information, please visit www.stollindustries.com/resources/. All warranty claims must be placed through your local dealer.

WARNING

This product can expose you to chemicals including Carbon Black, which is known to the state of California to cause Cancer. For more information go to www.P65Warnings.ca.gov