

Description

The Legacy collection offers a wide range of frame styles from square to beveled to round. The ability to add stainless hardware and a competitive price point makes this frame the perfect option for a variety of settings.

Selling Points

- **Stainless Steel Hardware option available for exterior applications**
- **Dual Corner Key Construction & the thickest aluminum extrusions in the industry**
- **Corner doors available with frameless corner.**

Frame Specs

Frame Material	Extruded Aluminum
Frame Panel Width & Depth	Varies By Model *See below

Common Add-Ons

Stainless Steel Hardware Option (for exterior applications)	\$260
Frameless Corner	\$130
Cutback Option reduces recessed frame depth by 3/8"	

Main Frame

- Frame panel widths cannot be adjusted
- Corner doors price as 2 separate doors; if small door is less than 20" wide a 20% discount will apply

Doors

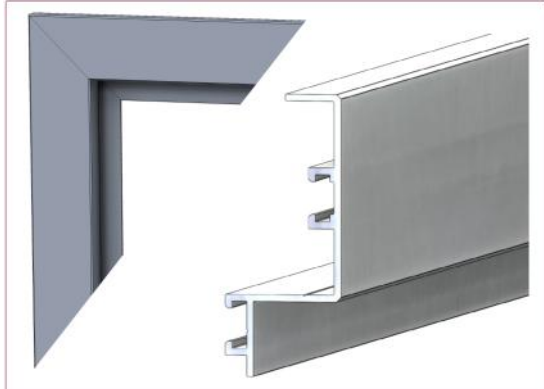
- AirSeal, Centerbars, Pryo-Ceramic glass are N/A
- Airvents in frame to meet UL 127 code for (ZC application only)
- Glass is 1/8" thick

Misc

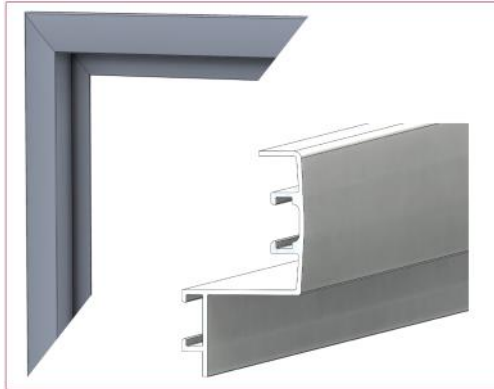
- If the Stainless steel option is chosen and also mesh doors, the mesh will be produced in stainless

	ZC Default Overlap	Masonry Default Overlap (Max Overlap)	Frame Depth Visible Frame	Total Frame Depth Includes recessed mounting frame	Frame Width
Avalon	1/2" Overlap - per side	2 1/4" Max Overlap Per Side	3/4"	1 9/16"	2 5/8"
Brentwood	1/2" Overlap - per side	1 1/4" Max Overlap - per side	9/16"	1 7/16"	1 3/4"
Huntington	1/2" Overlap - per side	3/4" Max Overlap - per side	3/8"	1 11/16"	1"
Lancaster	1/2" Overlap - per side	2 1/8" Max Overlap - per side	1/2"	2"	2 1/2"

Frame Profiles (see chart above for measurements)



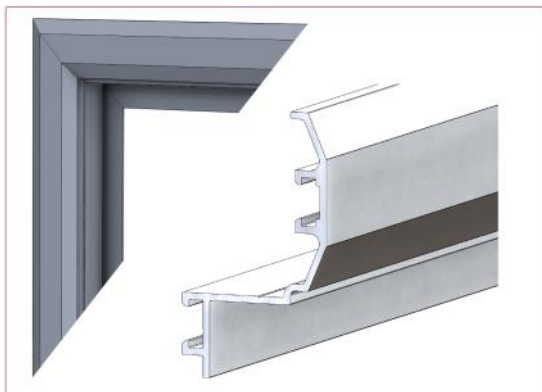
Avalon



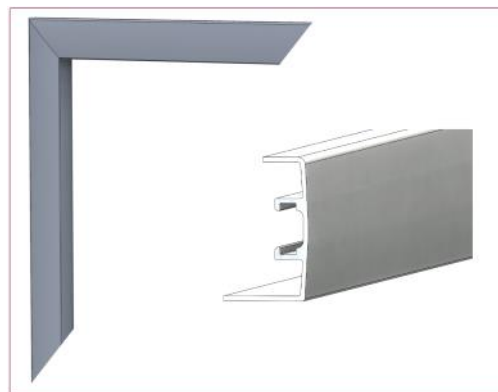
Brentwood



Huntington



Lancaster



Cutback Profile

Reduces recessed frame depth by 3/8"